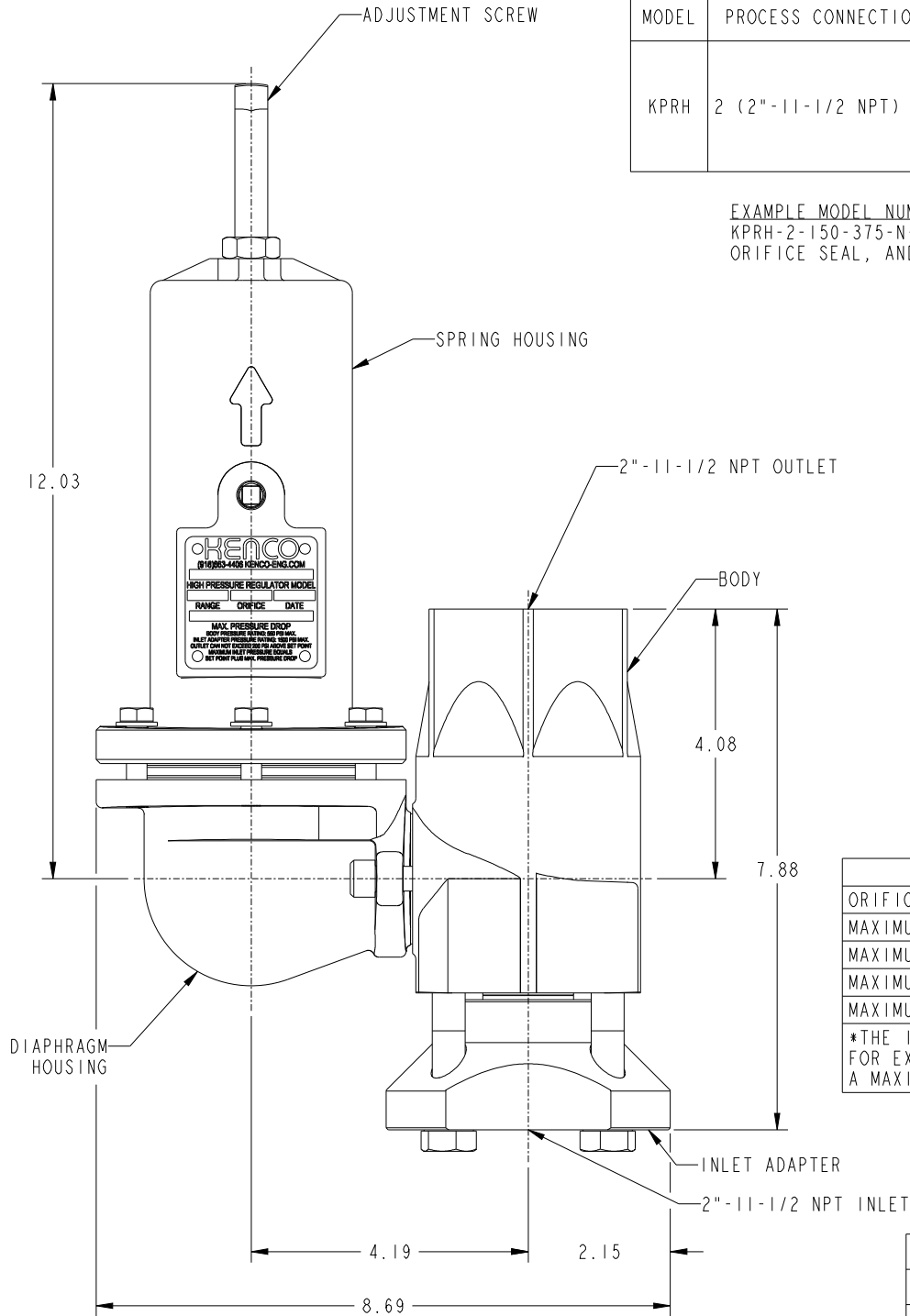


KENCO 2" NPT HIGH PRESSURE REGULATOR ORDERING INFORMATION

MODEL	PROCESS CONNECTION	OUTLET PRESSURE RANGE (SPRING COLOR)	ORIFICE SIZE	ORIFICE SEAL MATERIAL	DIAPHRAGM MATERIAL
KPRH	2 (2"-11-1/2 NPT)	050 (27-50 PSI, RED) 095 (46-95 PSI, WHITE) 150 (90-150 PSI, GRAY) 200 (150-200 PSI, GREEN) 275 (200-275 PSI, BLUE) 500 (275-500 PSI, YELLOW)	125 (1/8") 188 (3/16") 250 (1/4") 375 (3/8") 500 (1/2")	B (NITRILE) V (FLUOROCARBON) N (NYLON) T (PTFE)	N (NEOPRENE) V (FLUOROCARBON)

EXAMPLE MODEL NUMBER:

KPRH-2-150-375-N-N: 2" NPT REGULATOR WITH 90-150 PSI OUTLET RANGE, 3/8" ORIFICE, NYLON ORIFICE SEAL, AND NEOPRENE DIAPHRAGM



DIMENSIONS ARE FOR REFERENCE ONLY

PRODUCT SPECIFICATIONS	
MAXIMUM INLET PRESSURE	SEE TABLE BELOW
MAXIMUM OUTLET PRESSURE	DETERMINED BY SPRING
BODY & DIAPHRAGM HOUSING PRESSURE RATING	550 PSI
MAXIMUM BODY OVERPRESSURE	200 PSI ABOVE SET POINT*
TEMPERATURE RANGE	-20° TO 180° F (0° TO 180°, FKM ONLY)
MATERIALS	
BODY AND DIAPHRAGM HOUSING	ASTM A216 WCC CARBON STEEL
INLET ADAPTER	ASTM A105 CARBON STEEL
SPRING HOUSING	356 CAST ALUMINUM
ORIFICE AND SEAL HOLDER	316 STAINLESS STEEL
*THIS APPLIES TO SET POINTS OF 350 PSI AND BELOW. THE BODY OVERPRESSURE MUST NEVER RESULT IN AN OUTLET PRESSURE ABOVE THE BODY RATING OF 550 PSI.	

MAXIMUM INLET PRESSURES AND PRESSURE DROPS					
ORIFICE SIZE	1/8"	3/16"	1/4"	3/8"	1/2"
MAXIMUM INLET PRESSURE*	1500 PSI	1500 PSI	1500 PSI	1000 PSI	750 PSI
MAXIMUM PRESSURE DROP (NITRILE SEAL)	600 PSI	600 PSI	600 PSI	500 PSI	250 PSI
MAXIMUM PRESSURE DROP (NYLON / PTFE SEAL)	1500 PSI	1500 PSI	1000 PSI	500 PSI	250 PSI
MAXIMUM PRESSURE DROP (FLUOROCARBON SEAL)	200 PSI	200 PSI	200 PSI	200 PSI	200 PSI
*THE INLET PRESSURE CAN NEVER EXCEED THE SUM OF THE SET POINT AND MAXIMUM PRESSURE DROP. FOR EXAMPLE, A KPRH WITH 1/2" ORIFICE, NITRILE ORIFICE SEAL AND SET POINT OF 90 PSI HAS A MAXIMUM INLET PRESSURE OF 340 PSI.					

B	9/22/25	CJ	NEOPRENE DIAPHRAGM MATERIAL WAS NITRILE.	DIM'S IN INCHES		MATERIAL:	SEE BOM
	N/A	RD	12 FOOT-POUNDS WAS 17 FOOT-POUNDS.	TOLERANCES UNLESS OTHERWISE SPECIFIED.		RELEASE LEVEL:	RELEASED
A	2-6-25	CJ	RELEASED	ANGULAR	ENGINEERING	DRAWING CREATED IN PRO/ENGINEER	
	N/A	BRC		FRACTIONAL	USA		
REV.	DATE	DRN.	DESCRIPTION	(X.X) ±0.015"	TITLE:	REGULATOR, HIGH PRESSURE KPRH-2-XXX-XXX-X-X	
	ECN	CHKD.		(X.XX) ±0.010"	DRN. BY: CJ	SCALE: 0.750	DRAWING NUMBER
				(X.XXX) ±0.005"	CHKD. BY: BRC	REVISION: B	88644
				MACH. FINISH ALL	DATE: 2-6-25	SHEET 1 OF 3	
				125 MAX. FINISH ALL			
				MACHINED SURFACES			

PROPRIETARY: THIS DRAWING AND THE INFORMATION CONTAINED HEREIN IS PROPRIETARY TO KENCO ENGINEERING CO. AND SHALL NOT BE REPRODUCED, COPIED, OR DISCLOSED IN WHOLE OR IN PART, OR USED FOR MANUFACTURE OR FOR ANY OTHER PURPOSE WITHOUT THE WRITTEN PERMISSION OF KENCO ENGINEERING.