

KENCO ENGINEERING COMPANY

P.O. BOX 470426, TULSA, OK 74147-0426

PHONE: (918) 663-4406; www.kenco-eng.com; E-MAIL: info@kenco-eng.com

MODEL KPRL LOW PRESSURE REGULATOR REPAIR KITS

Table 1: Repair Kit Part Numbers	
Part Number	Contains
KPRL-B-B-RK	Nitrile Elastomers (5, 18, 20, 22, 25), PTFE Back-up Rings (24), Stainless Steel Hitch Pin (26)
KPRL-N-B-RK	Nylon Seal (20), Nitrile Elastomers (5, 18, 22, 25), PTFE Back-up Rings (24), S.S. Hitch Pin (26)
KPRL-V-V-RK	FKM Elastomers (5, 18, 20, 22, 25), PTFE Back-up Rings (24), S.S. Hitch Pin (26)
KPRL-N-V-RK	Nylon Seal (20), FKM Elastomers (5, 18, 22, 25), PTFE Back-up Rings (24), S.S. Hitch Pin (26)
KPRL-ORIFICE-125-RK	1/8" Orifice (3)
KPRL-ORIFICE-188-RK	3/16" Orifice (3)
KPRL-ORIFICE-250-RK	1/4" Orifice (3)
KPRL-ORIFICE-375-RK	3/8" Orifice (3)
KPRL-ORIFICE-500-RK	1/2" Orifice (3)
KPRL-SPRING-20-RK	5-20 psi Spring (Yellow) (8)
KPRL-SPRING-40-RK	15-40 psi Spring (Green) (8)
KPRL-SPRING-80-RK	35-80 psi Spring (Blue) (8)
KPRL-SPRING-95-RK	10-95 psi Spring (Black) (8)
KPRL-SPRING-15-RK	70-150 psi Spring (Red) (8)

Table 2: Parts List		
Item	Qty.	Description
1	2	Screw, Body Connection (Steel)
2	1	Body (Steel)
3	1	Orifice (316 Stainless Steel)
4	1	Stem, Valve (Assembly)
5	1	O-Ring, 2-221 (O-Ring Matl.)
6	1	Housing, Diaphragm (Assembly)
7	1	Diaphragm (Assembly)
8	1	Spring (Steel)
9	1	Cup, Spring Compression (Steel)
10	1	Housing, Spring (Assembly)
11	8	Screw, Spring Housing (Steel)
12	1	Nut, Lock (Steel)
13	1	Screw, Adjustment (Steel)
14	1	Cap, Adjustment Screw (Plastic)
15	1	Cap Screw (Steel)
16	1	Cup, Spring Retainer (Steel)
17	1	Plate, Diaphragm (Steel)
18	1	Diaphragm (Diaphragm Matl.)
19	1	Rod, Diaphragm (Aluminum)
20	1	Seal, Orifice (316 S.S. & Seal Matl.)
21	1	Booster, Valve (Nylon)
22	1	Gasket, Stabilizer (O-Ring Matl.)
23	1	Guide, Valve Stem (316 S.S.)
24	2	Ring, Back-UP (PTFE)
25	1	O-Ring, 2-010 (O-Ring Matl.)
26	1	Pin, Hitch (302 Stainless Steel)
27	1	Stem, Valve (316 Stainless Steel)

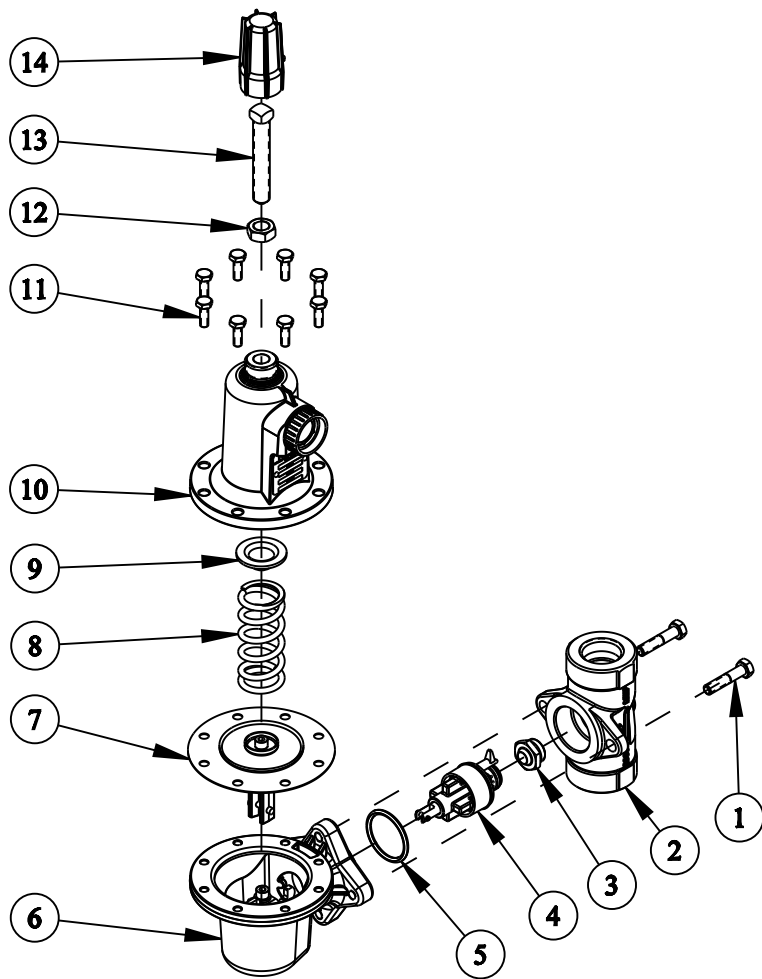


FIGURE 1: KPRL DISASSEMBLED

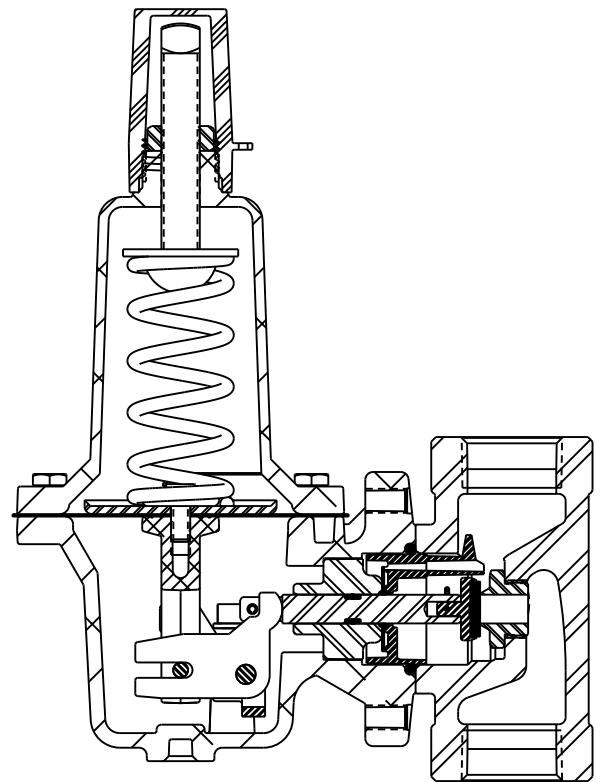
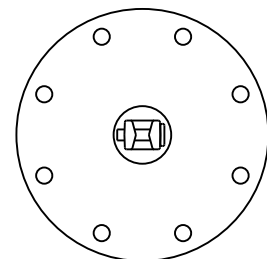


FIGURE 3: KPRL CROSS-SECTION



**FIGURE 4: DIAPHRAGM ASSEMBLY
(BOTTOM VIEW)**

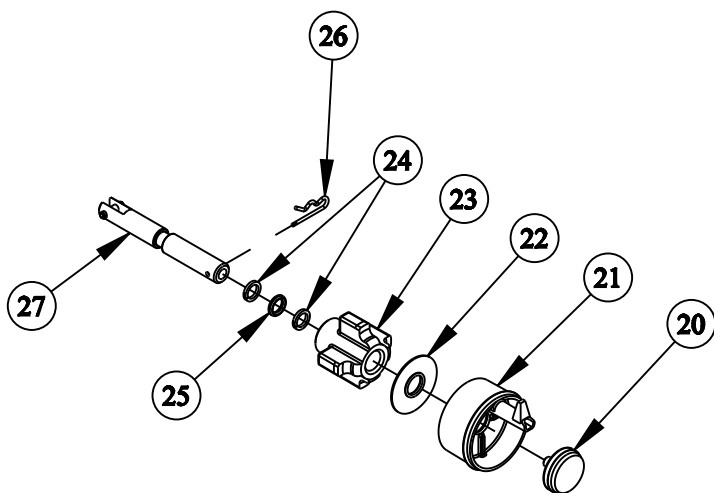


FIGURE 2: VALVE STEM ASSEMBLY

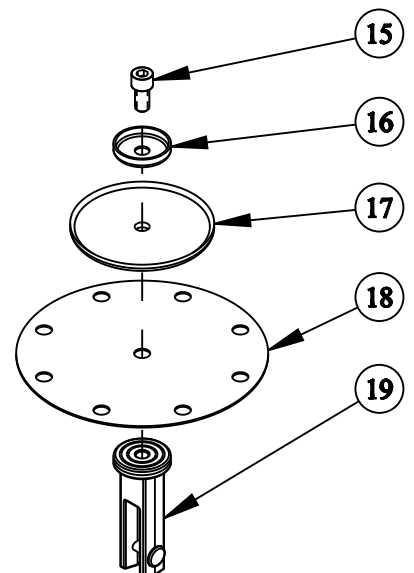


FIGURE 5: DIAPHRAGM ASSEMBLY