



KENCO MODEL KSW SIGHT WINDOWS

Kenco KSW Sight Windows are a low cost solution for viewing liquids. The hexagon head body with a male NPT mounting connection allow for easy installation. Clear glass lens is hermetically sealed and fused to the metal body to ensure leak-proof service and eliminate concerns typically found with traditional gasket type sight window assemblies. The optical clarity of the glass lens transmits an accurate view of the liquid. Lens is flush with the front face of the body which allows for easy cleaning and prohibits build up of dirt and debris normally associated with sight windows having a recessed lens. Kenco KSW Sight Windows reliably meet and exceed the requirements of most applications.

APPLICATIONS

- Gas Compressor Scrubber Vessels
- Separators
- Hydraulic Tanks
- Pressure Vessels
- Air Compressors
- Oil Reservoirs
- Lubrication Systems
- Pumps
- Coolant Tanks



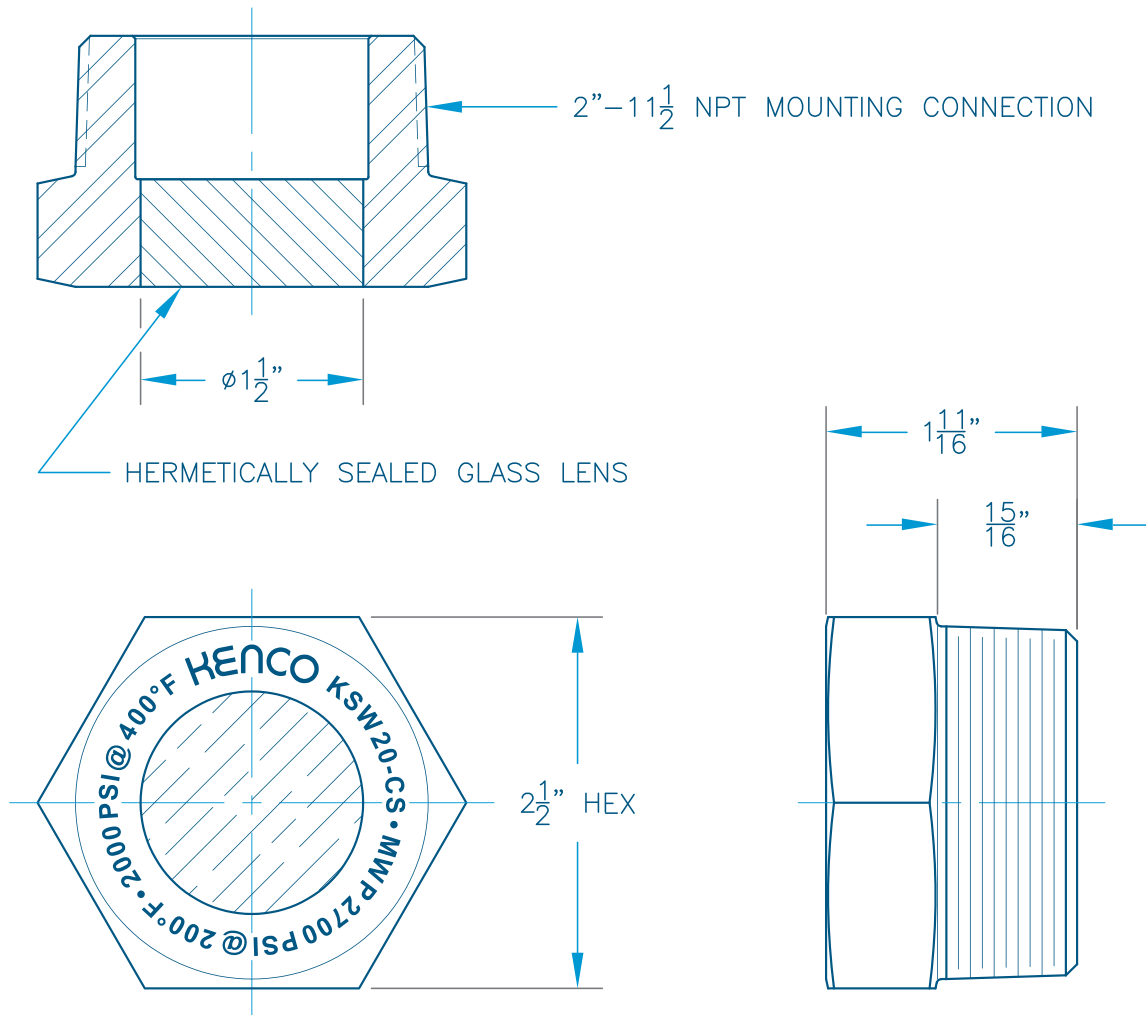
FEATURES

- Electroless Nickel Plated Carbon Steel Body
- Hermetically Sealed Clear Glass Lens
- Hexagon Head Body with Male NPT Mounting Connection
- 2700 PSI Maximum Working Pressure
- 400° F Maximum Operating Temperature

TECHNICAL SPECIFICATIONS

Model Number	Maximum Working Pressure at Various Temperatures				
	Temperature (°F)	100	200	300	400
KSW20-CS	Maximum Working Pressure (PSI)	2700	2700	2350	2000

TECHNICAL DRAWING



Represented by:

Kenco Sales Offices:

10001 E 54th St.
Tulsa, Oklahoma 74146
phone 918.663.4406
fax 918.663.4480
www.kenco-eng.com
email: info@kenco-eng.com

Baton Rouge Office

11616 Industriplex, Suite 7
Baton Rouge, LA 70809
phone 225.755.1912
fax 225.755.1913
www.kenco-eng.com
email: kenco-la@kenco-eng.com

87384

6-4-2021

