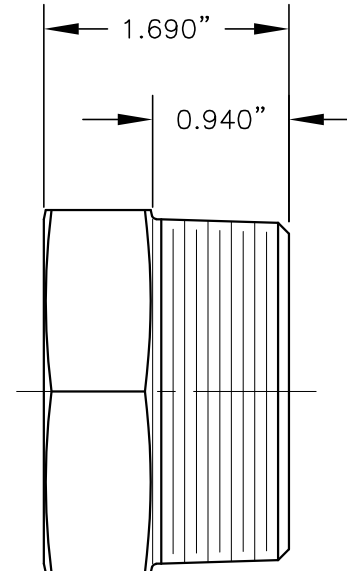


MAXIMUM WORKING PRESSURE AT VARIOUS TEMPERATURES				
TEMP. (°F)	100	200	300	400
MWP (PSI)	2700	2700	2350	2000



MATERIALS OF CONSTRUCTION: NICKEL PLATED CARBON STEEL BODY WITH GLASS LENS PER KENCO P/N 84352-CS.

NOTE: REFER TO 85443 FOR INSTALLATION INSTRUCTIONS.

DIMENSIONS ARE FOR REFERENCE PURPOSES ONLY AND ARE SUBJECT TO CHANGE AT ANY TIME WITHOUT NOTICE. INFORMATION IS PROPRIETARY TO KENCO ENGINEERING CO.

TOLERANCES UNLESS OTHERWISE SPECIFIED
 DECIMAL: ±.005" FRACTIONAL: ±1/64" ANGULAR: ±1/2°

REV.	DATE	BY	CHKD.	ECN	EXPLANATION:
A	05-12-20	RDM	BRC	N/A	ADDED REFER TO 85443 INSTALL NOTE
B	10-12-20	RDM	DM	N/A	REDRAWN; ROTATED TEXT ON HEX FACE 30°
C	03-25-21	RDM	BRC	N/A	ADDED TABLE WITH MAXIMUM WORKING PRESSURE AT VARIOUS TEMPERATURES
D	05-20-24	RDM	DM	N/A	ADDED MFG. DATE TO LASER ETCHED TEXT

KENCO ENGINEERING COMPANY
TULSA, OKLAHOMA

WINDOW, SIGHT 2" NPT
 (KENCO MODEL KSW20-CS)

DATE: 01-20-20	SHEET: 1 OF 1	DRAWING NUMBER
DRN. BY: RDM	CHKD. BY: BRC	84737-CS
SCALE: 3/4"=1"	REVISION: D	