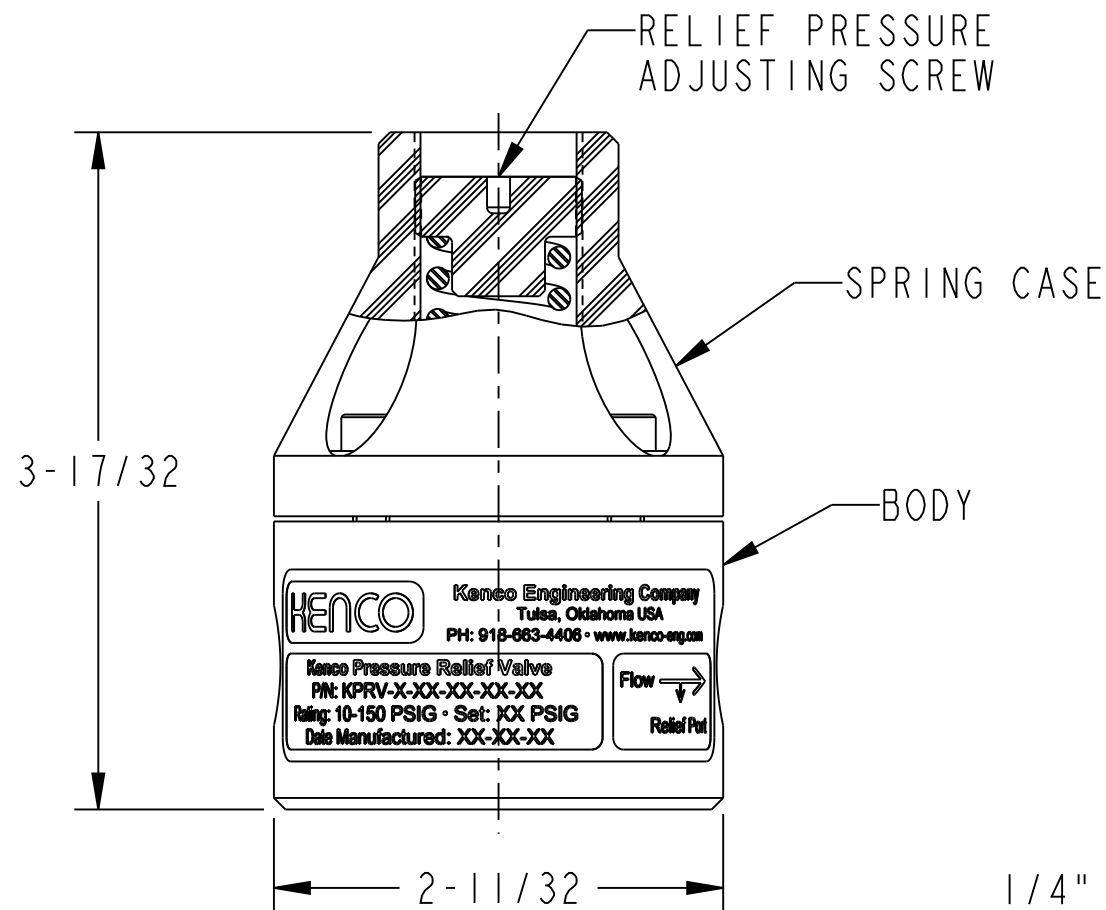
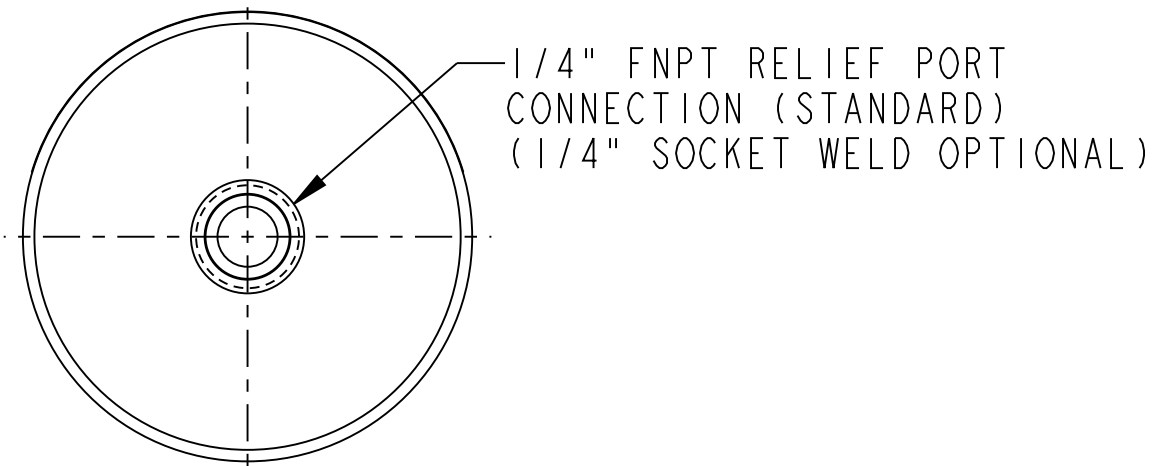
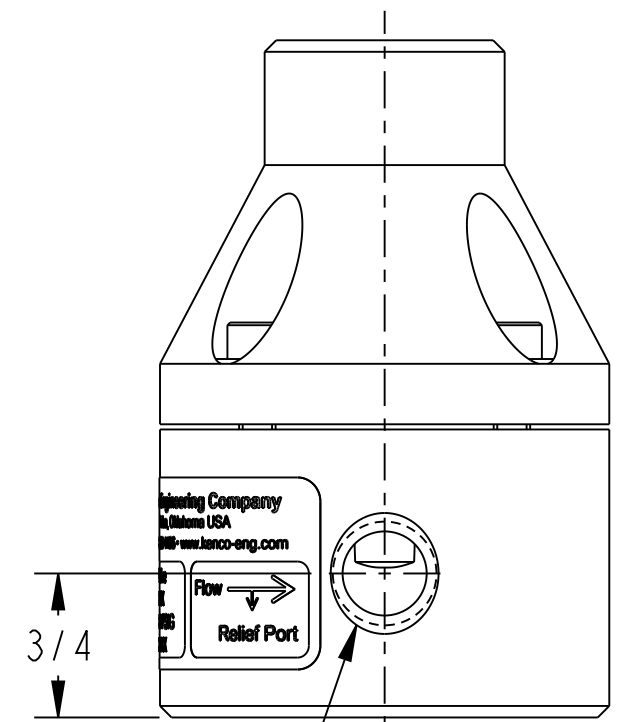


1/4" FNPT INLET PORT CONNECTION (STANDARD)
(1/4" SOCKET WELD OPTIONAL)



1/4" FNPT OUTLET PORT CONNECTION (STANDARD)
(1/4" SOCKET WELD OPTIONAL)



RELIEF PRESSURE ADJUSTMENT RANGE: 0 TO 150 PSI
RELIEF PRESSURE FACTORY SETTING: 50 PSI

WETTED MATERIALS:

BODY: 316 STAINLESS STEEL
DIAPHRAGM: TEFLON (WETTED)/EPDM (NON-WETTED)

NON-WETTED MATERIALS:

SPRING CASE: PVC
RELIEF PRESSURE ADJUSTING SCREW: PVC
SPRING: ZINC PLATED SPRING STEEL
SCREWS & WASHERS: 18-8 STAINLESS STEEL

MODEL NUMBER:

KPRV-T-25-S6-P-TE (THREADED CONNECTIONS)
KPRV-S-25-S6-P-TE (SOCKET WELD CONNECTIONS)

C	05/20/15	BRC	REVISED DESIGN TO KENCO STANDARDS WITH NEW	DIM'S IN INCHES TOLERANCES UNLESS OTHERWISE SPECIFIED.		MATERIAL:	SEE B/M	
	N/A	KLM	TAPERED SPRING CASE, MODEL NO. SYSTEM AND TAG.			RELEASE LEVEL:	RELEASED	
B	01/31/11	KLM	REVISED DRAWING NOTES, ADDED SHEET 2	ANGULAR ±1/2° FRACTIONAL ±1/64" (X.X) ±0.015" (X.XX) ±0.010" (X.XXX) ±0.005" MACH FILLET RAD: .031" 125 MAX. FINISH, ALL MACHINED SURFACES.	ENGINEERING Tulsa, Oklahoma USA	DRAWING CREATED IN PRO/ENGINEER		
	000055	KI				TITLE:	VALVE, KPRV RELIEF, 1/4"	
REV.	DATE	DRN.	DESCRIPTION			DRN. BY: BRC	SCALE: 1.000	DRAWING NUMBER
	ECN	CHKD.				CHKD. BY: KLM	REVISION: C	
PROPRIETARY: THIS DRAWING AND THE INFORMATION CONTAINED HEREIN IS PROPRIETARY TO KENCO ENGINEERING CO. AND SHALL NOT BE REPRODUCED, COPIED, OR DISCLOSED IN WHOLE OR IN PART, OR USED FOR MANUFACTURE OR FOR ANY OTHER PURPOSE WITHOUT THE WRITTEN PERMISSION OF KENCO ENGINEERING.						DATE: 05/20/15	SHEET 1 OF 3	