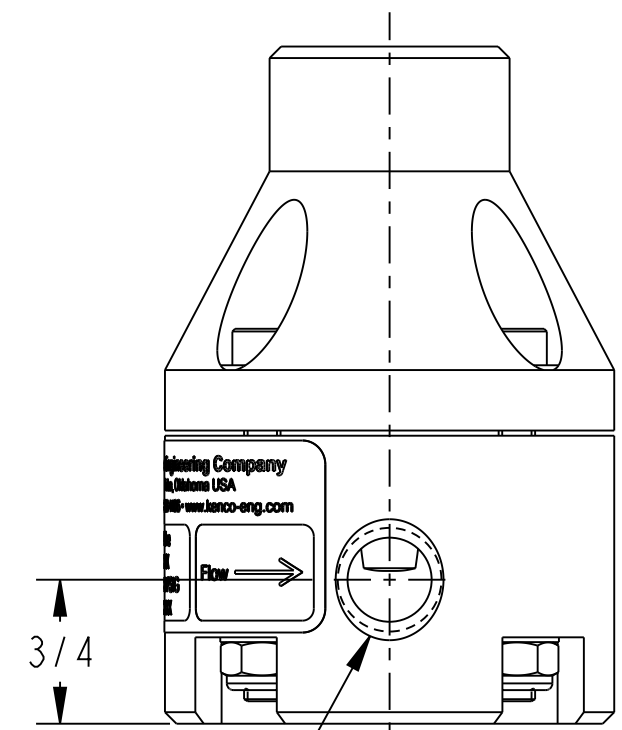
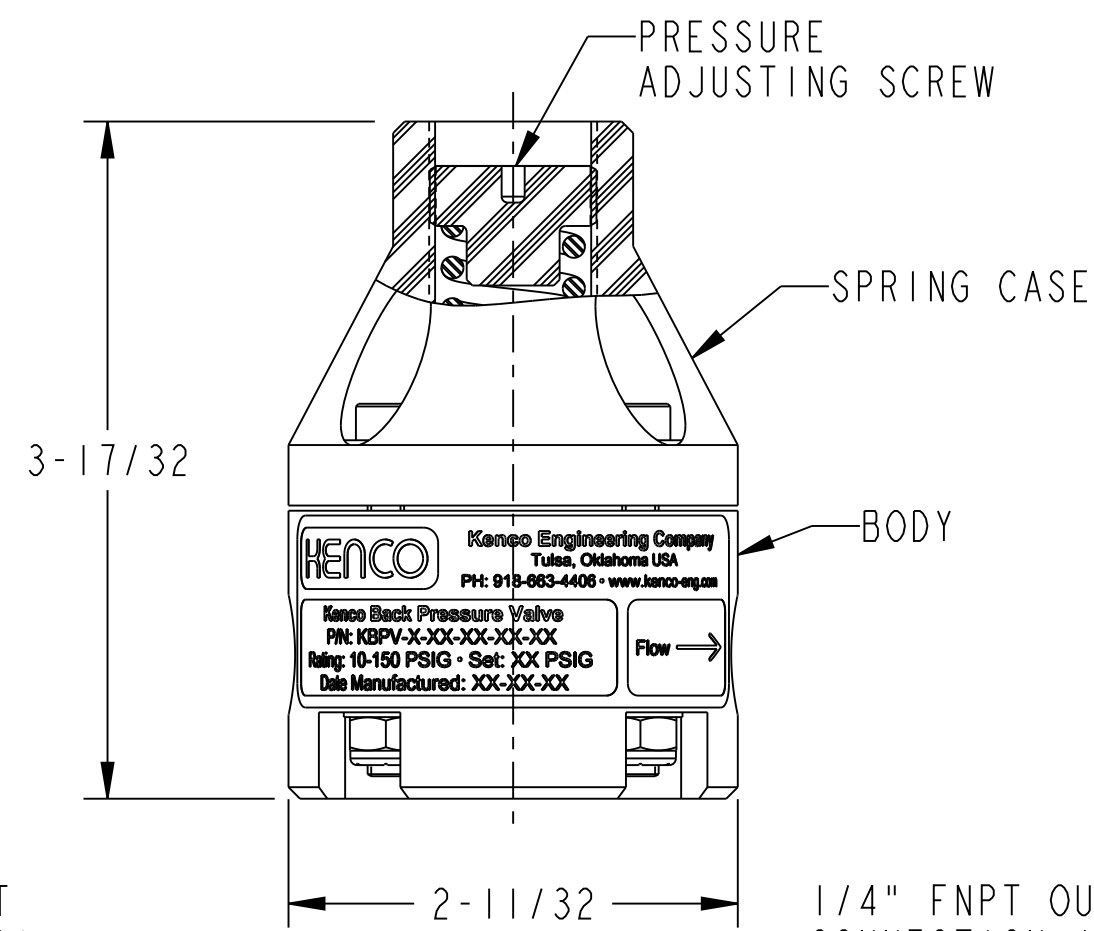


1/4" FNPT INLET PORT CONNECTION (STANDARD)
(1/4" SOCKET WELD OPTIONAL)



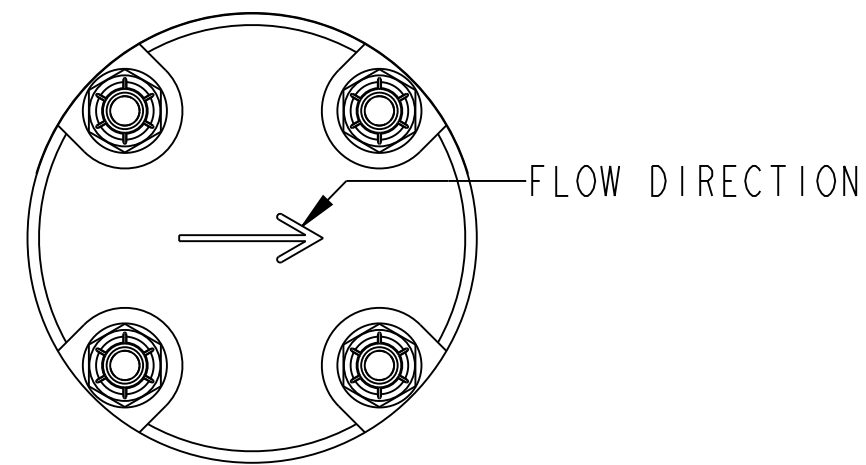
1/4" FNPT OUTLET PORT CONNECTION (STANDARD)
(1/4" SOCKET WELD OPTIONAL)

RELIEF PRESSURE ADJUSTMENT RANGE: 0 TO 150 PSI
RELIEF PRESSURE FACTORY SETTING: 50 PSI

WETTED MATERIALS:
BODY: PVC
DIAPHRAGM: TEFLON (WETTED)/EPDM (NON-WETTED)

NON-WETTED MATERIALS:
SPRING CASE: PVC
RELIEF PRESSURE ADJUSTING SCREW: PVC
SPRING: ZINC PLATED SPRING STEEL
NUTS, BOLTS & WASHERS: 18-8 STAINLESS STEEL

MODEL NUMBER:
KBPV-T-25-P-P-TE (THREADED CONNECTIONS)
KBPV-S-25-P-P-TE (SOCKET WELD CONNECTIONS)



				DIM'S IN INCHES TOLERANCES UNLESS OTHERWISE SPECIFIED.		KENCO ENGINEERING Tulsa, Oklahoma USA		MATERIAL:	SEE B/M
				ANGULAR ±1/2°				RELEASE LEVEL:	RELEASED
				FRACTIONAL ±1/64"				DRAWING CREATED IN PRO/ENGINEER	
A				05/18/15		BRC		RELEASED	
				N/A		KLM			
REV.				DATE		DRN.		DESCRIPTION	
				ECN		CHKD.			
<p>PROPRIETARY: THIS DRAWING AND THE INFORMATION CONTAINED HEREIN IS PROPRIETARY TO KENCO ENGINEERING CO. AND SHALL NOT BE REPRODUCED, COPIED, OR DISCLOSED IN WHOLE OR IN PART, OR USED FOR MANUFACTURE OR FOR ANY OTHER PURPOSE WITHOUT THE WRITTEN PERMISSION OF KENCO ENGINEERING.</p>									
		DATE:		05/18/15		SHEET 1 OF 3		DRAWING NUMBER	
		CHKD. BY:		KLM		REVISION:		A	
		DRN. BY:		BRC		SCALE:		1.000	
		DATE:		05/18/15		SHEET 1 OF 3		73559	