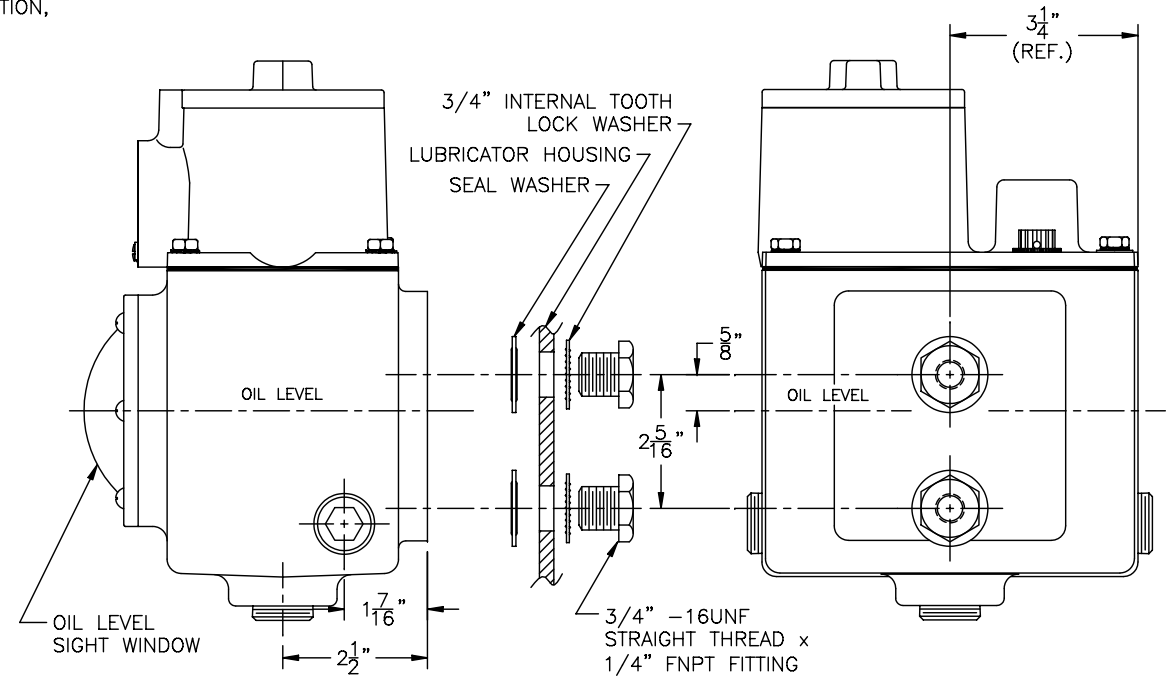
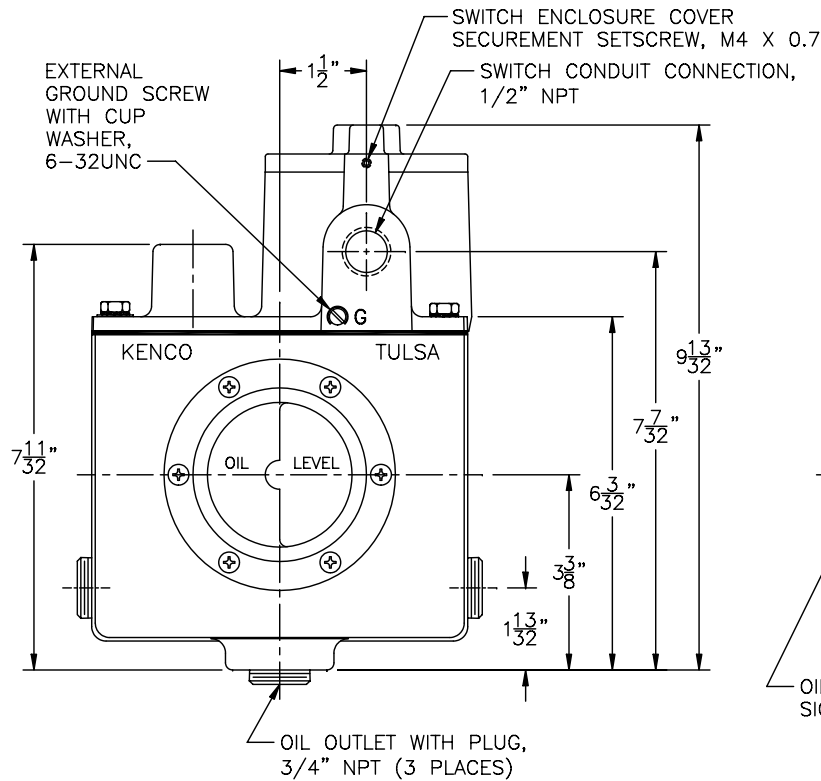


**MODEL KLCE-11**  
**MODEL KLCE-DPDT-11**  
**MODEL KHL-11**  
**MODEL KHL-DPDT-11**  
**MODEL KSHL-11**  
**MODEL KSSL-11**



DIMENSIONS ARE FOR REFERENCE PURPOSES ONLY AND ARE SUBJECT TO CHANGE AT ANY TIME WITHOUT NOTICE.  
 INFORMATION IS PROPRIETARY TO KENCO ENGINEERING CO.

**KENCO ENGINEERING COMPANY**  
**TULSA, OKLAHOMA**

CONTROLLER, OIL LEVEL WITH MOUNT (OUTLINE DRAWING) MODEL KLCE-11

DATE: 02-03-03 SHEET: 1 OF 1 DRAWING NUMBER  
 DRN. BY: DS CHKD. BY: C-44729  
 SCALE: NONE REVISION: A

REV.	DATE	BY	CHKD.	ECN	EXPLANATION:
A	10-14-11	DS	PAS	N/A	UPDATED TO REFLECT CASTING CHANGES

**MECHANICAL LUBRICATOR MOUNTING**