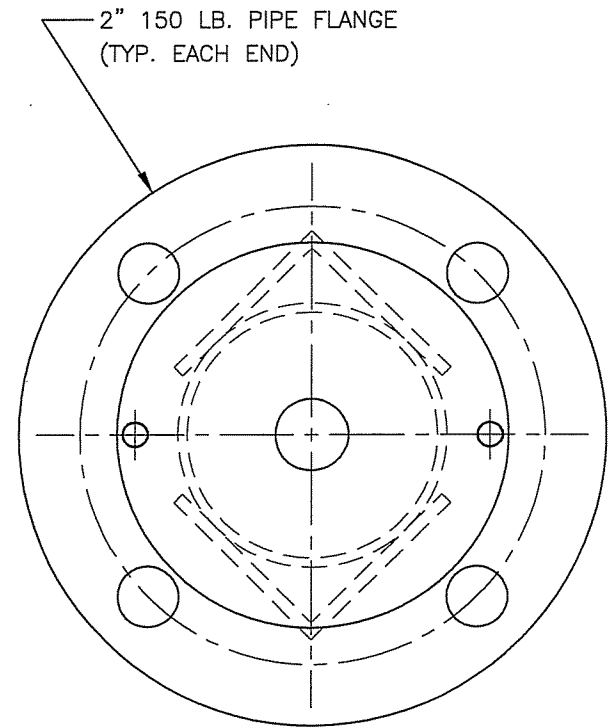
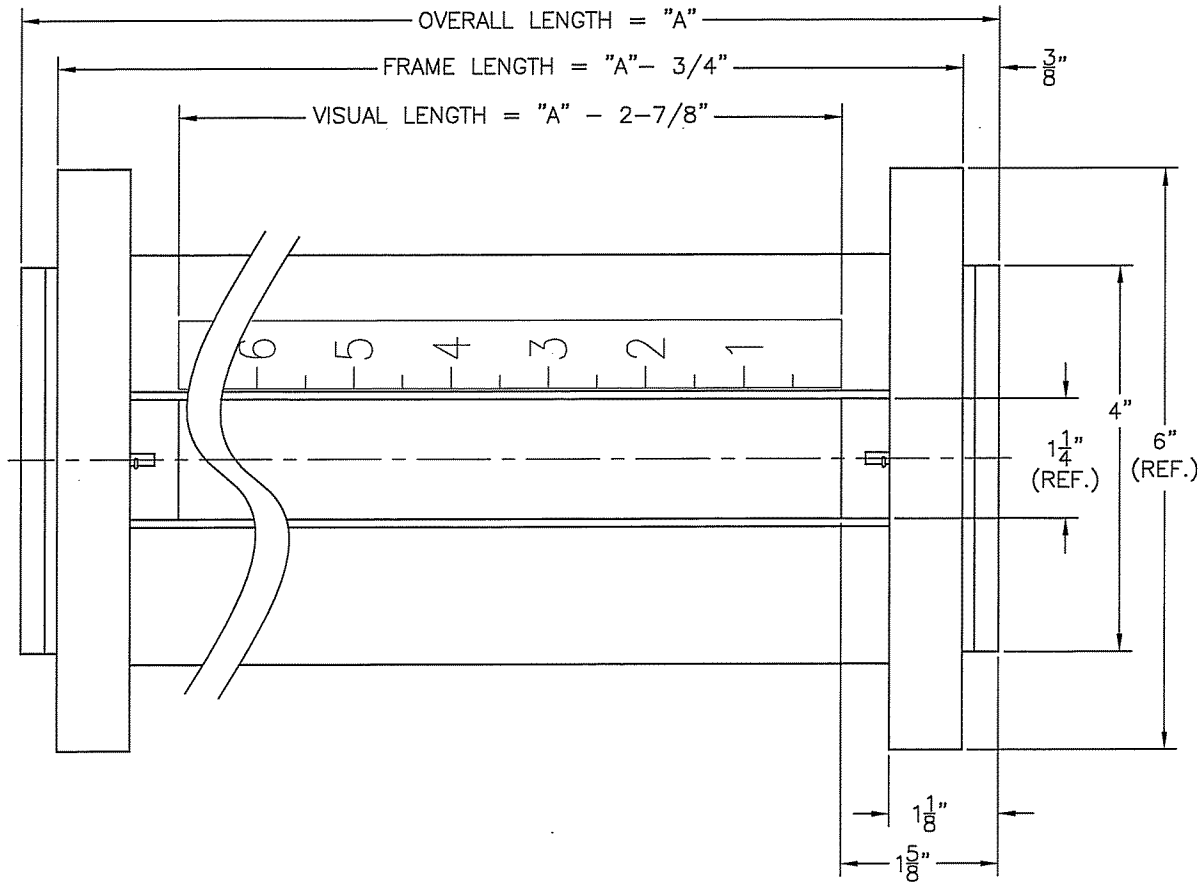


MODEL ESP-2.00 MODEL ST-2.00



MASTER PRINT

A = LENGTH OF INDICATION (SUPPLIED BY CUSTOMER)

DIMENSIONS ARE FOR REFERENCE PURPOSES ONLY
AND ARE SUBJECT TO CHANGE AT ANY TIME WITHOUT
NOTICE.
COPYRIGHT © 2003-KENCO INTERNATIONAL, INC.-ALL RIGHTS RESERVED

REV.	DATE	BY	ECN	EXPLANATION:

KENCO ENGINEERING COMPANY TULSA, OKLAHOMA		
GAUGE, LIQUID LEVEL (OUTLINE DRAWING) MODEL ESP-2.00		
DATE: 02-03-03	SHEET: 1 OF 1	DRAWING NUMBER
DRN. BY: DPS	CHKD. BY:	C-43692
SCALE: NONE	REVISION:	