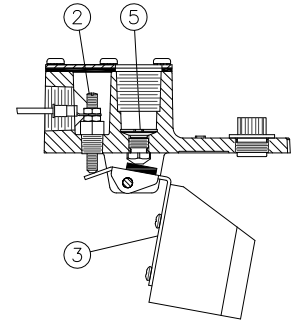
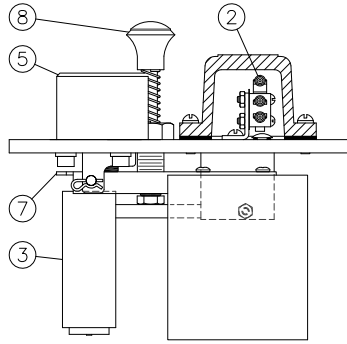
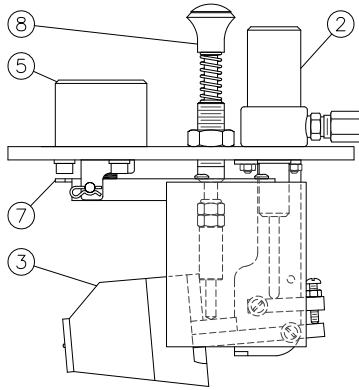
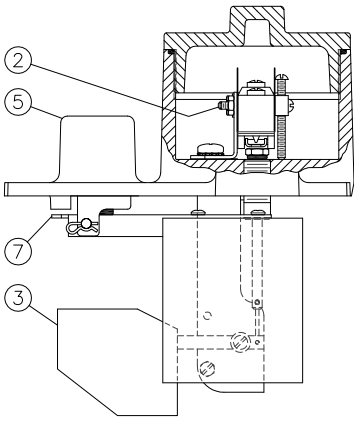


REPLACEMENT KITS



Model KLCE Parts Kits

Kit 1: All Working Parts Kit Order #RK-KLCE

- Consists of:
 1-Cover Plate Assembly As Shown Above
 1-Cover Plate Gasket
 4-Mounting Bolts
 1-Vent Plug

Kit 2: Switch Kit Order #MS-KLCE

- Consists of:
 1-Switch Assembly With Bracket
 1-Switch Bracket Isolator
 2-Mounting Screws

Kit 3: Switch Float Kit Order #MF-KLCE

- Consists of:
 1-Switch Float Assembly with Bracket
 2-Mounting Screws
 1-Switch Push Rod Retainer Wire

Kit 4: Controller Gasket / Seal Kit Order #GS-KLCE

- Consists of:
 1-Cover Plate Gasket
 1-Sight Window O-Ring Seal
 1-Oil Inlet Float Seal
 1-Oil Inlet Housing O-Ring Seal
 1-Switch Enclosure O-Ring Seal
 1-Switch Push Rod O-Ring Seal

Kit 5: Oil Inlet Housing Kit Order #OI-KLCE

- Consists of:
 1-Oil Inlet Screen
 1-Screen Retainer Ring

Kit 6: Sight Window Kit Order #GL-KLC

Order #GL-KLC-GW

- Consists of:
 1-Sight Window
 1-Sight Window O-Ring Seal
 6-Mounting Screws

Kit 7: Oil Inlet Float Kit Order #OF-KLC

Order #OF-KLC-HPA

Order #OF-KLC-HPB

- Consists of:
 1-Float Assembly With Seal
 1-Float Hinge Bracket
 2-Mounting Screws
 1-Oil Inlet Valve Orifice
 1-Clevis Pin
 1-Hitch Pin Clip

Model KLCP Parts Kits

Kit 1: All Working Parts Kit Order #RK-KLCP

- Consists of:
 1-Cover Plate Assembly As Shown Above
 1-Cover Plate Gasket
 4-Mounting Bolts
 1-Vent Plug

Kit 2: Air Valve Kit Order #AV-KLCP

- Consists of:
 1-Complete Air Valve Assembly
 1-Exhaust Ring
 1-Exhaust Ring O-Ring Seal
 1-Air Exhaust Connector
 1-Actuator Rod

Kit 3: Air Valve Float Kit Order #AF-KLCP

- Consists of:
 1-Air Valve Float Assembly with Bracket
 2-Mounting Screws
 2-Hexagon Nuts

Kit 4: Controller Gasket / Seal Kit Order #GS-KLCP

- Consists of:
 1-Cover Plate Gasket
 1-Sight Window O-Ring Seal
 1-Oil Inlet Float Seal
 1-Oil Inlet Housing O-Ring Seal
 1-Air Valve Internal O-Ring Seal
 1-Test Button Push Rod O-Ring Seal
 1-Air Valve Exhaust Ring O-Ring Seal

Kit 5: Oil Inlet Housing Kit Order #OI-KLC

- Consists of:
 1-Oil Inlet Screen
 1-Screen Retainer Ring
 1-Oil Inlet Housing
 1-Housing O-Ring Seal
 3-Mounting Screws
 3-Lock Washers

Kit 6: Sight Window Kit Order #GL-KLC

Order #GL-KLC-GW

- Consists of:
 1-Sight Window
 1-Sight Window O-Ring Seal
 6-Mounting Screws

Kit 7: Oil Inlet Float Kit Order #OF-KLC

Order #OF-KLC-HPA

Order #OF-KLC-HPB

- Consists of:
 1-Float Assembly With Seal
 1-Float Hinge Bracket
 2-Mounting Screws
 1-Oil Inlet Valve Orifice
 1-Clevis Pin
 1-Hitch Pin Clip

Kit 8: Test Button Kit Order #TB-KLCP

- Consists of:
 1-Complete Test Button Assembly

Model KLCM Parts Kits

Kit 1: All Working Parts Kit Order #RK-KLCM

- Consists of:
 1-Cover Plate Assembly As Shown Above
 1-Cover Plate Gasket
 4-Mounting Bolts
 1-Vent Plug

Kit 2: Switch Kit Order #MS-KLCM

- Consists of:
 1-Switch Assembly With Bracket
 2-Switch Assembly Mounting Screws
 1-Switch Enclosure Gasket
 4-Switch Enclosure Mounting Screws
 1-Ground Wire with Ring Terminal

Kit 3: Switch Float Kit Order #MF-KLCM

- Consists of:
 1-Switch Float Assembly with Bracket
 2-Mounting Screws
 1-Switch Push Rod Retainer Wire

Kit 4: Controller Gasket / Seal Kit Order #GS-KLCM

- Consists of:
 1-Cover Plate Gasket
 1-Sight Window O-Ring Seal
 1-Oil Inlet Float Seal
 1-Oil Inlet Housing O-Ring Seal
 1-Switch Push Rod O-Ring Seal
 1-Test Button Push Rod O-Ring Seal
 1-Switch Enclosure Gasket

Kit 5: Oil Inlet Housing Kit Order #OI-KLC

- Consists of:
 1-Oil Inlet Screen
 1-Screen Retainer Ring
 1-Oil Inlet Housing
 1-Housing O-Ring Seal
 3-Mounting Screws
 3-Lock Washers

Kit 6: Sight Window Kit Order #GL-KLC

Order #GL-KLC-GW

- Consists of:
 1-Sight Window
 1-Sight Window O-Ring Seal
 6-Mounting Screws

Kit 7: Oil Inlet Float Kit Order #OF-KLC

Order #OF-KLC-HPA

Order #OF-KLC-HPB

- Consists of:
 1-Float Assembly With Seal
 1-Float Hinge Bracket
 2-Mounting Screws
 1-Oil Inlet Valve Orifice
 1-Clevis Pin
 1-Hitch Pin Clip

Kit 8: Test Button Kit Order #TB-KLCM

- Consists of:
 1-Complete Test Button Assembly

Model K512 / K512-TB Parts Kits

Kit 1: K512 / K512-TB All Working Parts Kit Order #RK-K512

- Consists of:
 1-Cover Plate Assembly As Shown Above
 1-Cover Plate Gasket
 4-Mounting Screws
 1-Vent Plug

Kit 2: Switch Kit Order #MS-K512

- Consists of:
 1-Insulator Bushing
 1-Set Screw
 2-Hexagon Nuts
 1-Ring Terminal

Kit 3: Switch Float Kit Order #MF-K512

- Consists of:
 1-Float Assembly With Seal
 1-Clevis Pin
 1-Hitch Pin Clip

Kit 4A: K512 Gasket / Seal Kit Order #GS-K512

- Consists of:
 1-Cover Plate Gasket Set
 1-Sight Window O-Ring Seal
 1-Oil Inlet Float Seal

Kit 4B: K512-TB Gasket / Seal Kit Order #GS-K512-TB

- Consists of:
 1-Cover Plate Gasket Set
 1-Sight Window O-Ring Seal
 1-Oil Inlet Float Seal
 1-Test Button O-Ring Seal

Kit 5: Oil Inlet Housing Kit Order #OI-K512

- Consists of:
 1-Oil Inlet Screen
 1-Screen Retainer Ring

Kit 6: Sight Window Kit Order #GL-K512

Order #GL-K512-GW

- Consists of:
 1-Sight Window
 1-Sight Window O-Ring Seal
 4-Mounting Screws

Kit 7: K512-TB Test Button Kit Order #TB-K512

- Consists of:
 1-Complete Test Button Assembly

Model K512HL and K512HL-TB Kits Refer to Kenco Website