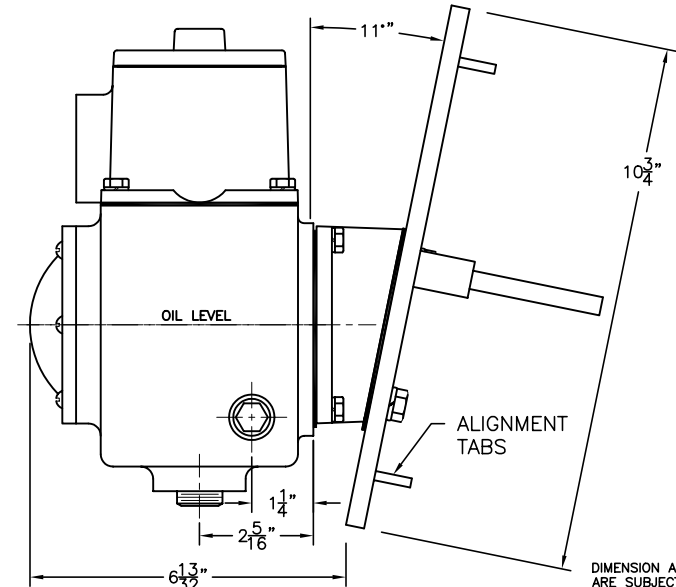
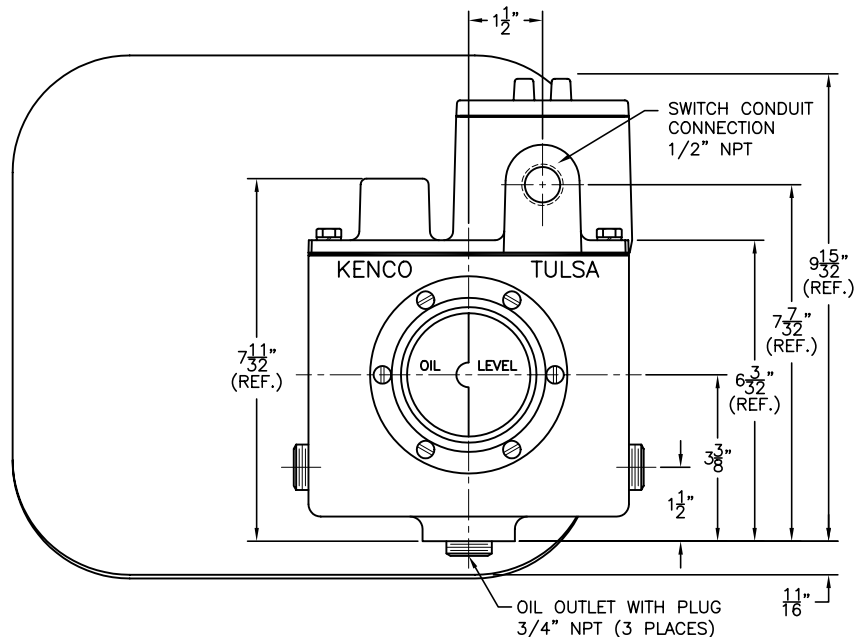


MODEL KES-17  
MODEL KES-DPDT-17  
MODEL KHL-ES-17  
MODEL KHL-ES-DPDT-17  
MODEL KSHL-ES-17  
MODEL KSL-ES-17



DIMENSIONS ARE FOR REFERENCE PURPOSES ONLY AND ARE SUBJECT TO CHANGE AT ANY TIME WITHOUT NOTICE.  
 COPYRIGHT © 2003 KENCO INTERNATIONAL, INC. ALL RIGHTS RESERVED

**WAUKESHA VHP ENGINES**  
 F2895, F3251, F5108, L5790, AND L7042  
 (Supplied with all mounting hardware/seals)

REV.	DATE	BY	ECN	EXPLANATION:	KENCO ENGINEERING COMPANY TULSA, OKLAHOMA
					DATE: 02-03-03 SHEET: 1 OF 1 DRAWING NUMBER
					DRN. BY: DS CHKD. BY: C-44695
					SCALE: NONE REVISION: