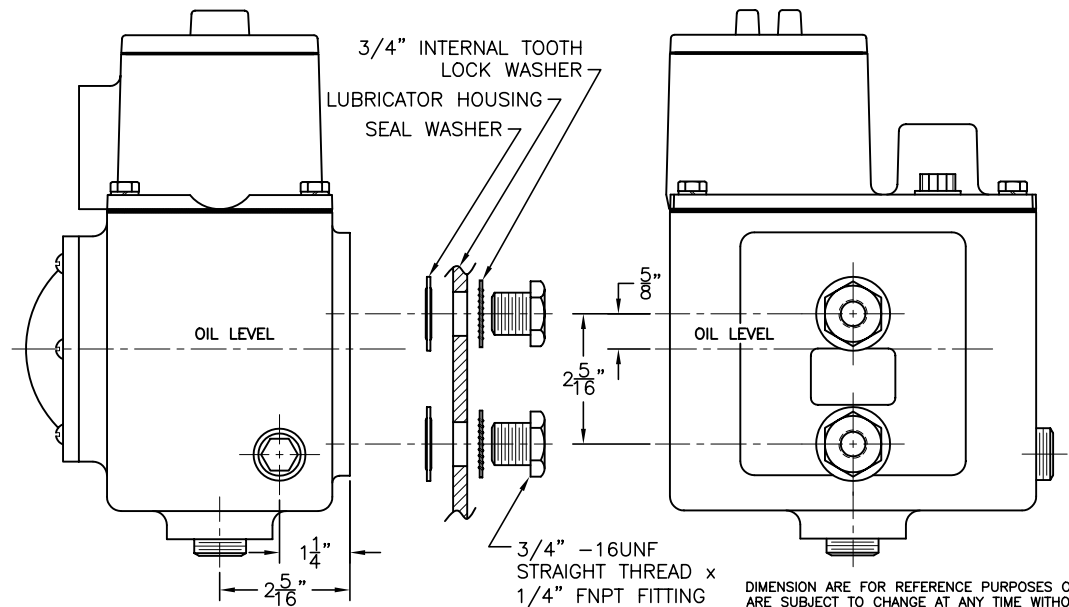
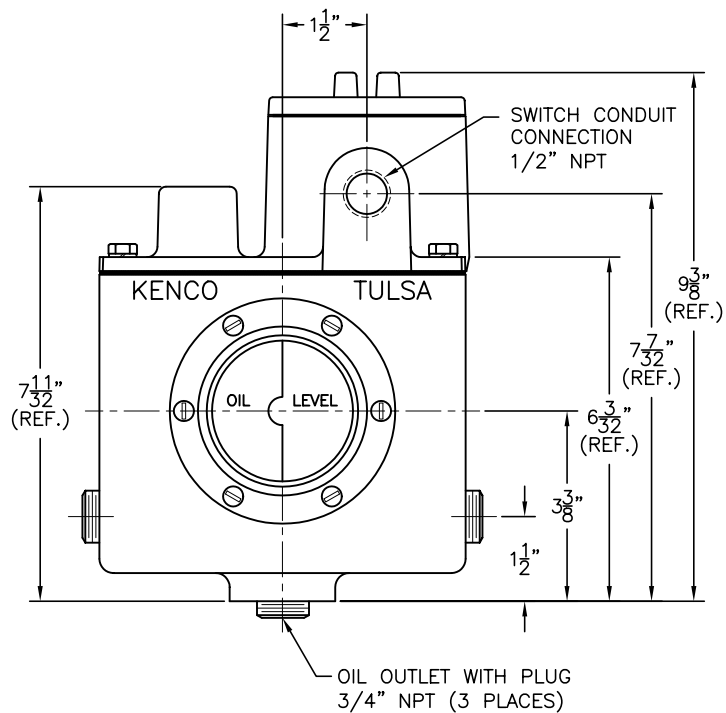


MODEL KES-11
MODEL KES-DPDT-11
MODEL KHL-ES-11
MODEL KHL-ES-DPDT-11
MODEL KSHL-ES-11
MODEL KSL-ES-11



DIMENSION ARE FOR REFERENCE PURPOSES ONLY AND ARE SUBJECT TO CHANGE AT ANY TIME WITHOUT NOTICE.
 COPYRIGHT © 2003 KENCO INTERNATIONAL, INC. ALL RIGHTS RESERVED

REV.	DATE	BY	ECN	EXPLANATION:	KENCO ENGINEERING COMPANY TULSA, OKLAHOMA
					DATE: 02-03-03 SHEET: 1 OF 1 DRAWING NUMBER
					DRN. BY: DS CHKD. BY: C-44691
					SCALE: NONE REVISION: