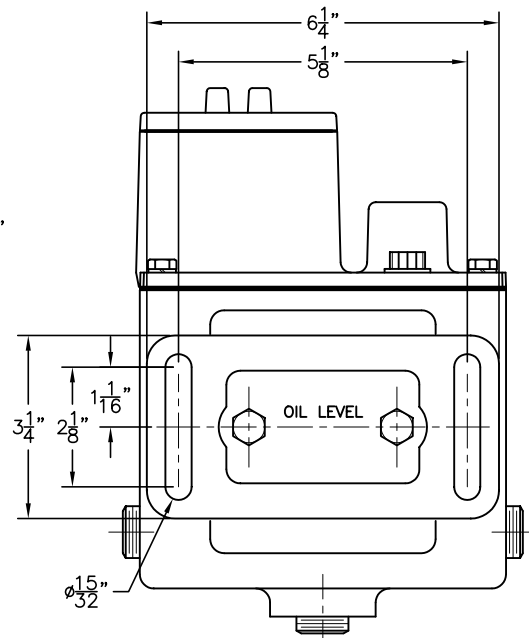
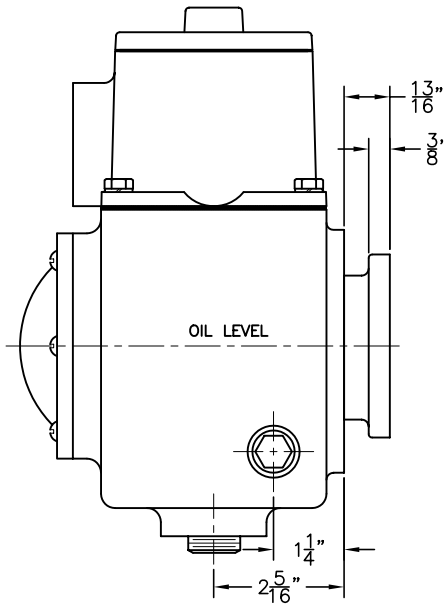
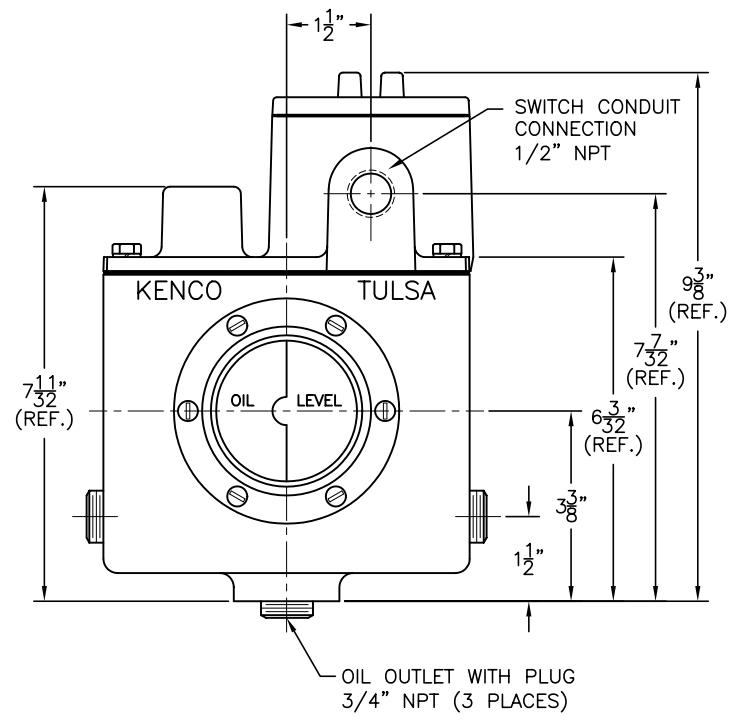


MODEL KES-10
MODEL KES-DPDT-10
MODEL KHL-ES-10
MODEL KHL-ES-DPDT-10
MODEL KSHL-ES-10
MODEL KSSL-ES-10



DIMENSION ARE FOR REFERENCE PURPOSES ONLY AND ARE SUBJECT TO CHANGE AT ANY TIME WITHOUT NOTICE.
 COPYRIGHT © 2003 KENCO INTERNATIONAL, INC. ALL RIGHTS RESERVED

REV.	DATE	BY	ECN	EXPLANATION:	KENCO ENGINEERING COMPANY TULSA, OKLAHOMA
					DATE: 02-03-03 SHEET: 1 OF 1 DRAWING NUMBER
					DRN. BY: DS CHKD. BY: C-44690
					SCALE: NONE REVISION: