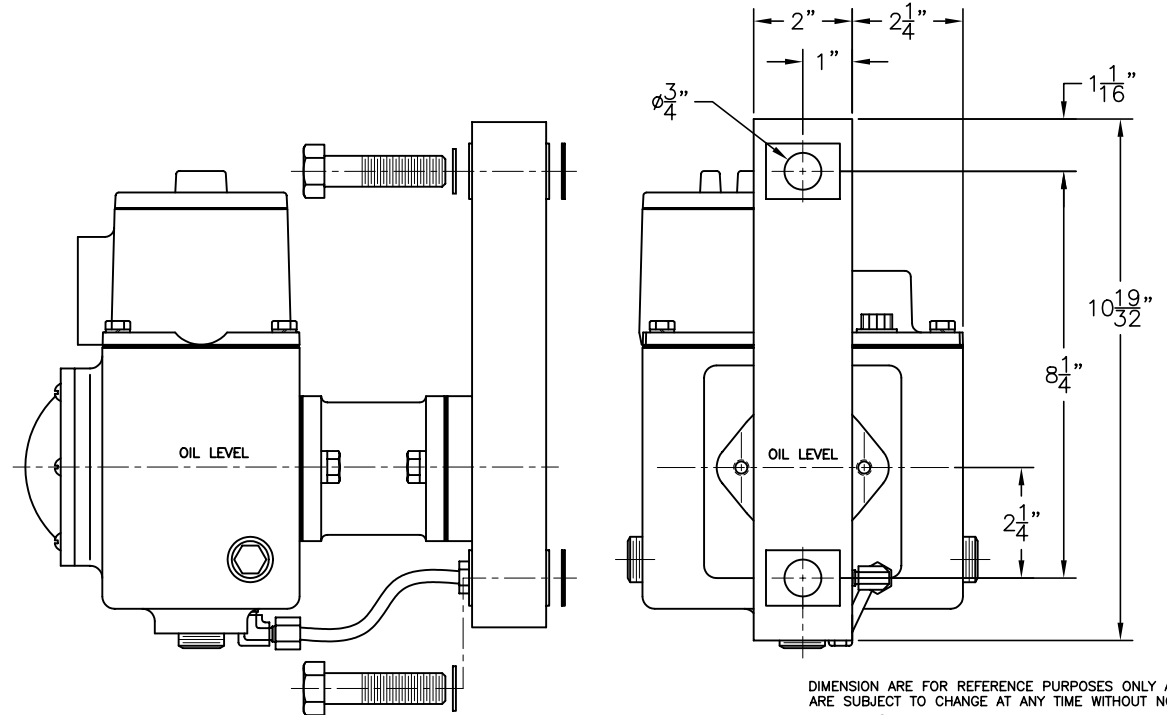
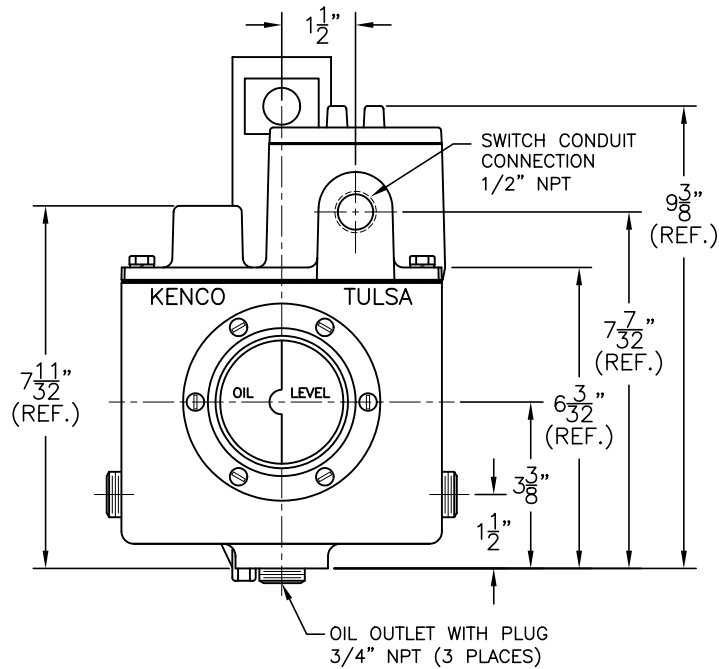
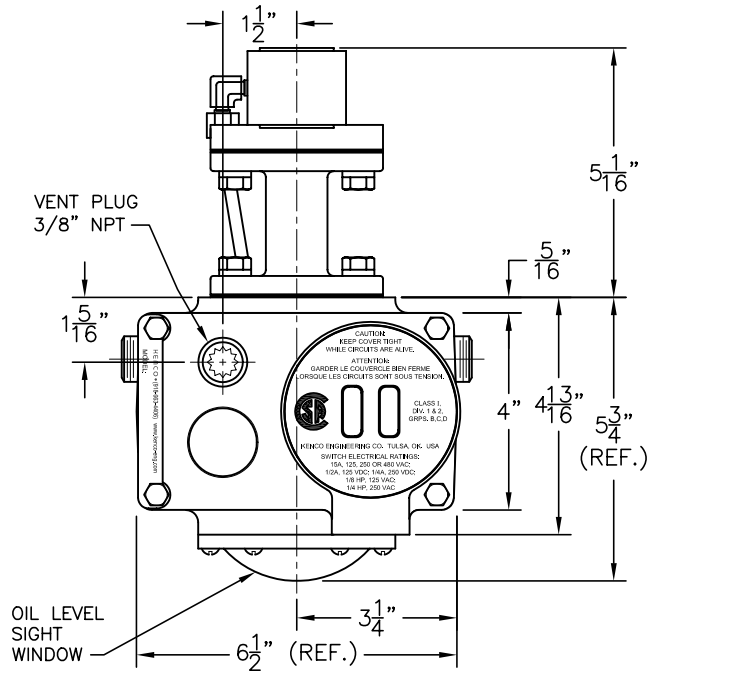


MODEL KES-7
MODEL KES-DPDT-7
MODEL KHL-ES-7
MODEL KHL-ES-DPDT-7
MODEL KSHL-ES-7
MODEL KSL-ES-7



DIMENSION ARE FOR REFERENCE PURPOSES ONLY AND
 ARE SUBJECT TO CHANGE AT ANY TIME WITHOUT NOTICE.
 COPYRIGHT © 2003-KENCO INTERNATIONAL, INC.-ALL RIGHTS RESERVED

| REV. | DATE | BY | ECN | EXPLANATION: | KENCO ENGINEERING COMPANY TULSA, OKLAHOMA |
|------|------|----|-----|--------------|--|
| | | | | | |
| | | | | | DATE: 02-03-03 SHEET: 1 OF 1 DRAWING NUMBER |
| | | | | | DRN. BY: DS CHKD. BY: C-44687 |
| | | | | | SCALE: NONE REVISION: |