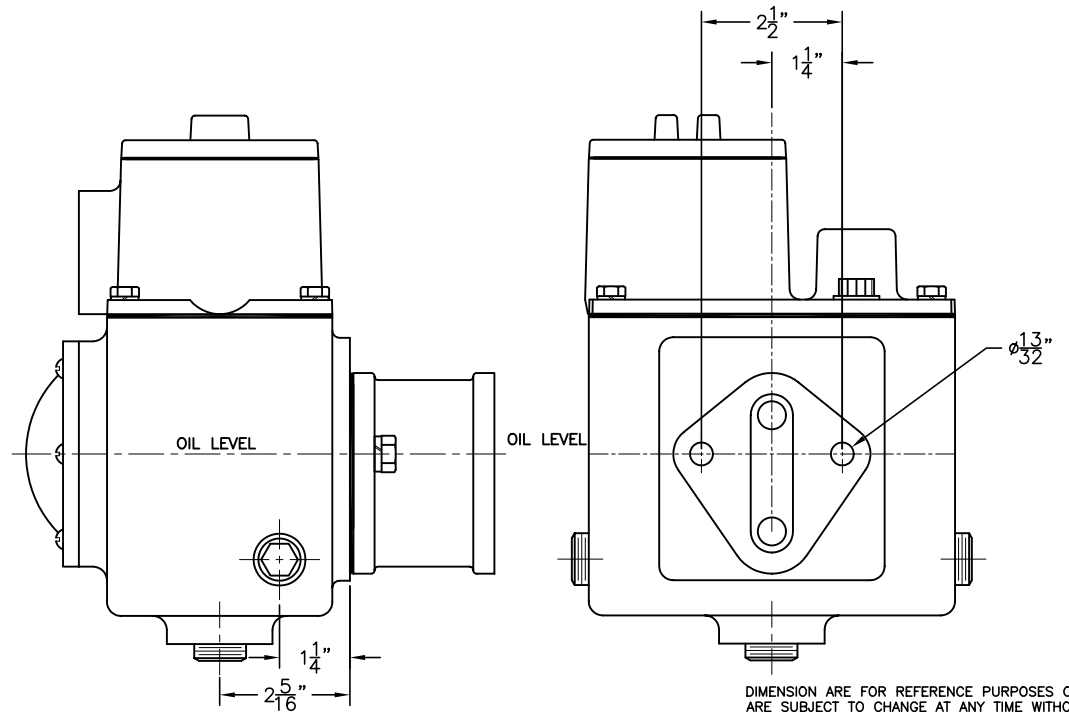
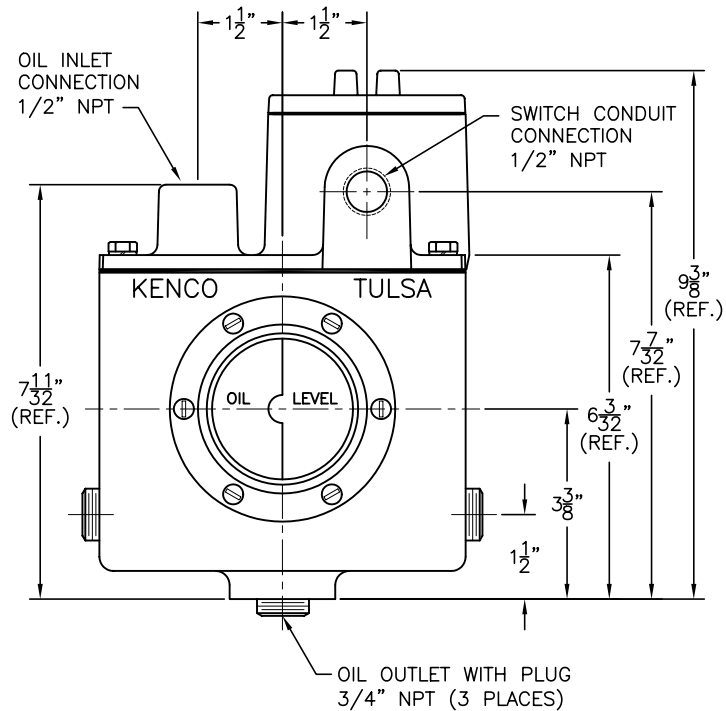
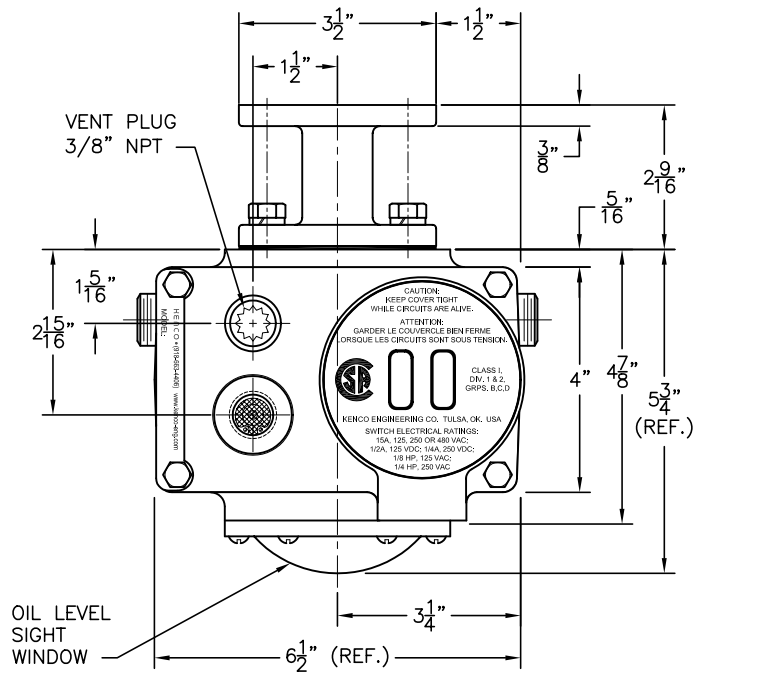


MODEL KLCE-991
MODEL KLCE-DPDT-991
MODEL KHL-991
MODEL KHL-DPDT-991
MODEL KSHL-991
MODEL KSSL-991



DIMENSION ARE FOR REFERENCE PURPOSES ONLY AND
 ARE SUBJECT TO CHANGE AT ANY TIME WITHOUT NOTICE.
 COPYRIGHT © 2003-KENCO INTERNATIONAL, INC.-ALL RIGHTS RESERVED

| REV. | DATE | BY | ECN | EXPLANATION: |
|------|------|----|-----|--------------|
| | | | | |
| | | | | |
| | | | | |
| | | | | |
| | | | | |
| | | | | |
| | | | | |
| | | | | |
| | | | | |

| | | |
|--|---|---------------------------|
| KENCO ENGINEERING COMPANY TULSA, OKLAHOMA | | |
| CONTROLLER, OIL LEVEL WITH MOUNT (OUTLINE DRAWING) MODEL KLCE-991 | | |
| DATE: 02-04-03 DRN. BY: DS SCALE: NONE | SHEET: 1 OF 1 CHKD. BY: REVISION: | DRAWING NUMBER C-44745 |