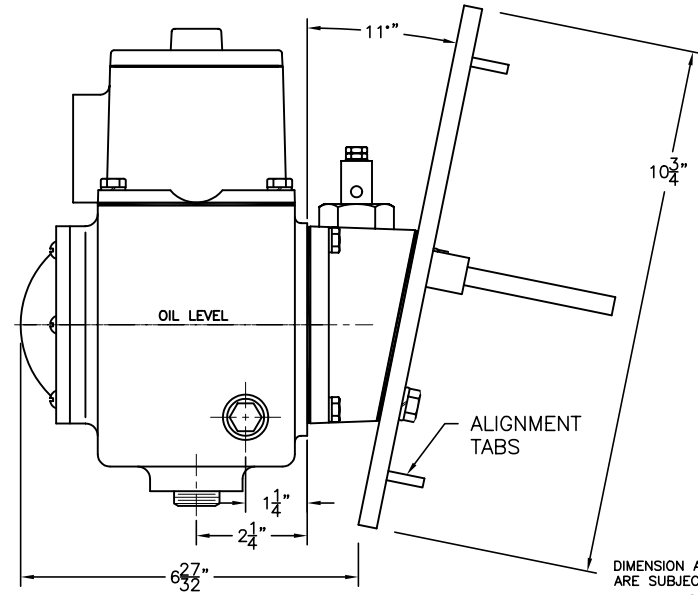
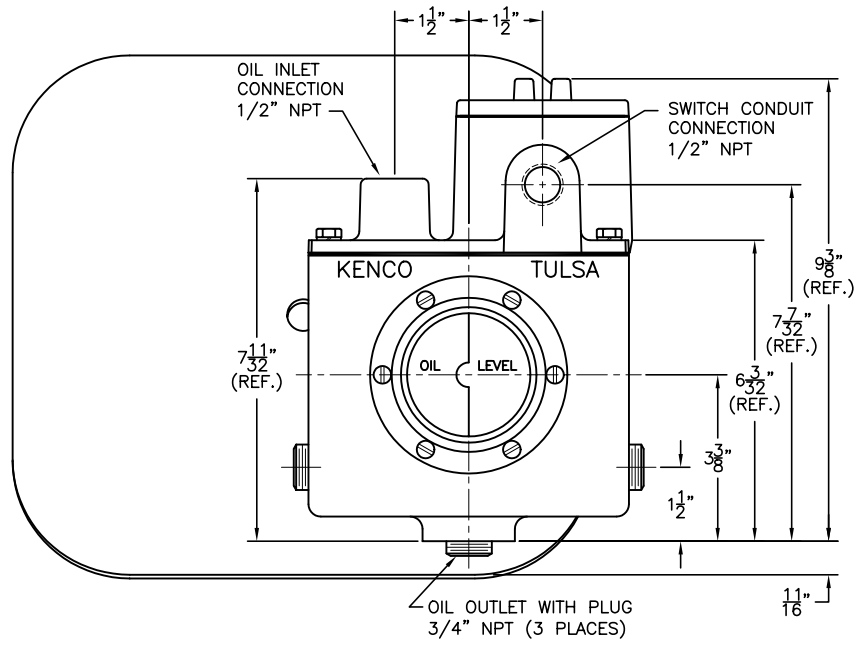


NPT PORT (EACH END)
FIRE SAFE VALVE

- MODEL 50-FS:**
 A-1/2" NPT
 B-5/8"
 C-1-1/4"
 D-1-9/16"
 E-3-1/8"
 F-3-15/16"

- MODEL KLCE-17-FS**
MODEL KLCE-DPDT-17-FS
MODEL KHL-17-FS
MODEL KHL-DPDT-17-FS
MODEL KSHL-17-FS
MODEL KSLI-17-FS



DIMENSION ARE FOR REFERENCE PURPOSES ONLY AND ARE SUBJECT TO CHANGE AT ANY TIME WITHOUT NOTICE.
 COPYRIGHT © 2003-KENCO INTERNATIONAL, INC.-ALL RIGHTS RESERVED

WAUKESHA VHP ENGINES
 F2895, F3251, F5108, L5790, AND L7042
 (Supplied with all mounting hardware/seals)

REV.	DATE	BY	ECN	EXPLANATION:

KENCO ENGINEERING COMPANY TULSA, OKLAHOMA			
CONTROLLER, OIL LEVEL WITH MOUNT (OUTLINE DRAWING) MODEL KLCE-17-FS			
DATE: 02-03-03	SHEET: 1 OF 1	DRAWING NUMBER	
DRN. BY: DS	CHKD. BY:	C-44736	
SCALE: NONE	REVISION:		