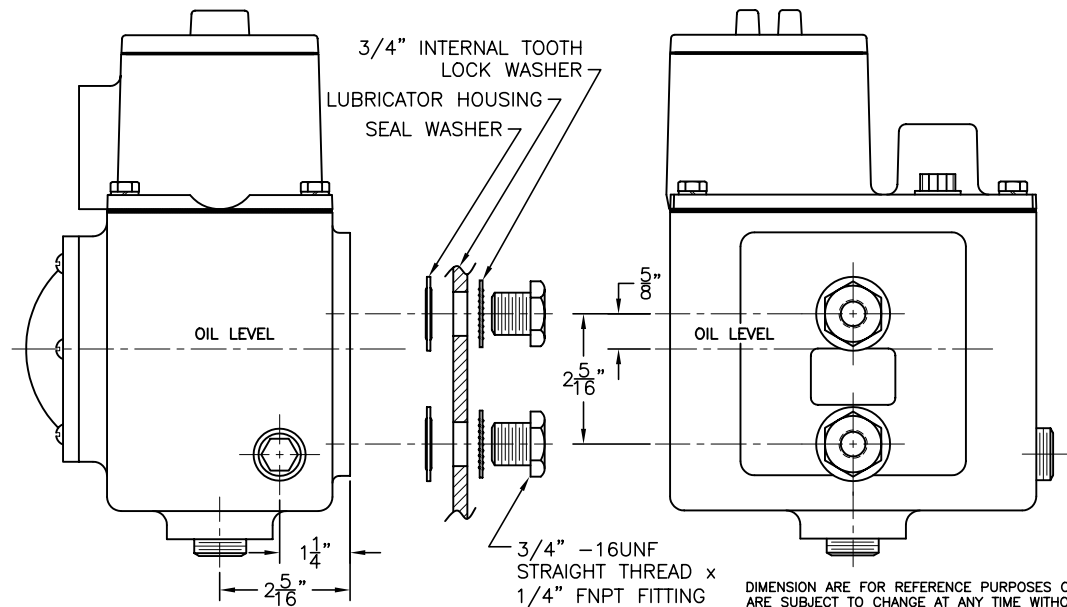
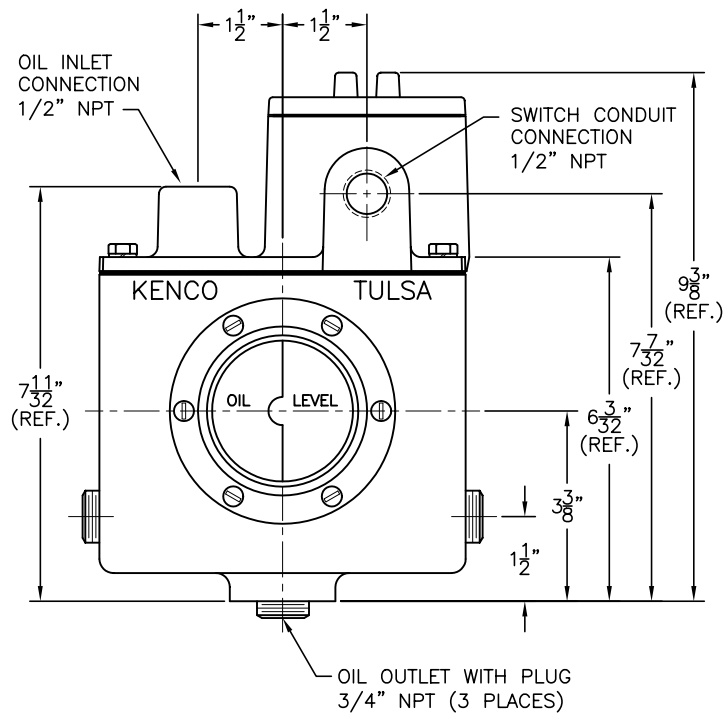
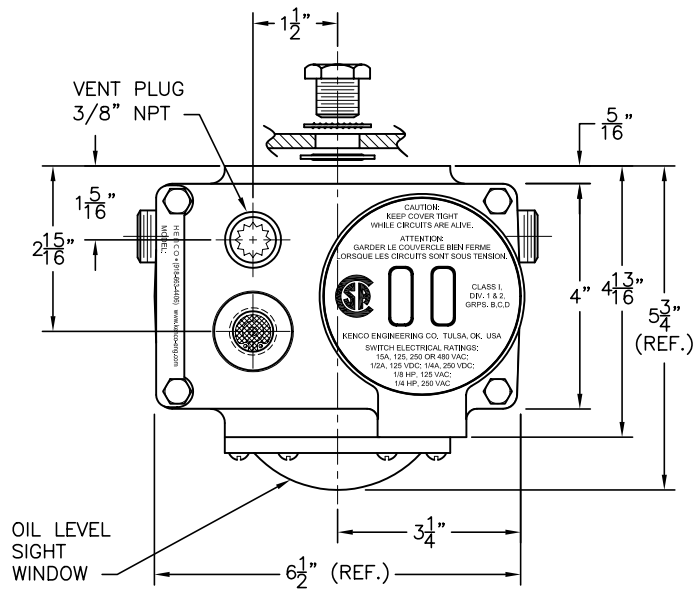


MODEL KLCE-11
MODEL KLCE-DPDT-11
MODEL KHL-11
MODEL KHL-DPDT-11
MODEL KSHL-11
MODEL KSL-11



DIMENSION ARE FOR REFERENCE PURPOSES ONLY AND
 ARE SUBJECT TO CHANGE AT ANY TIME WITHOUT NOTICE.
 COPYRIGHT © 2003-KENCO INTERNATIONAL, INC.-ALL RIGHTS RESERVED

REV.	DATE	BY	ECN	EXPLANATION:	KENCO ENGINEERING COMPANY TULSA, OKLAHOMA
					DATE: 02-03-03 SHEET: 1 OF 1 DRAWING NUMBER
					DRN. BY: DS CHKD. BY: C-44729
					SCALE: NONE REVISION: