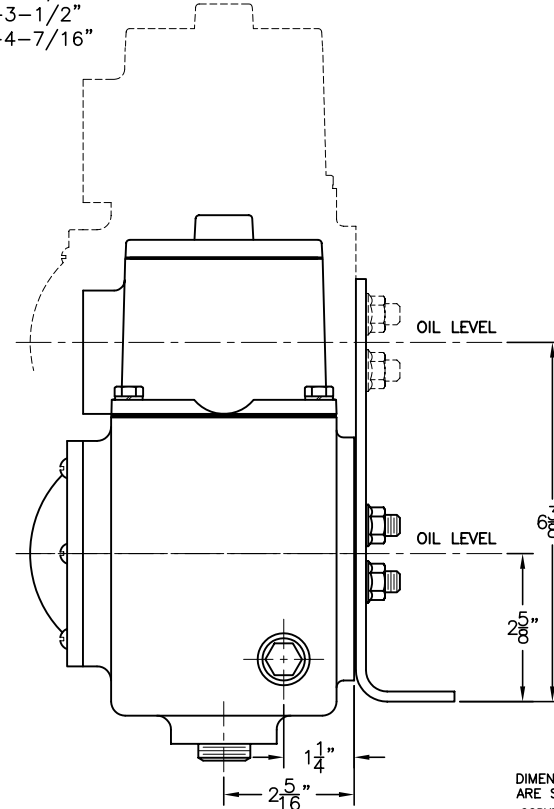
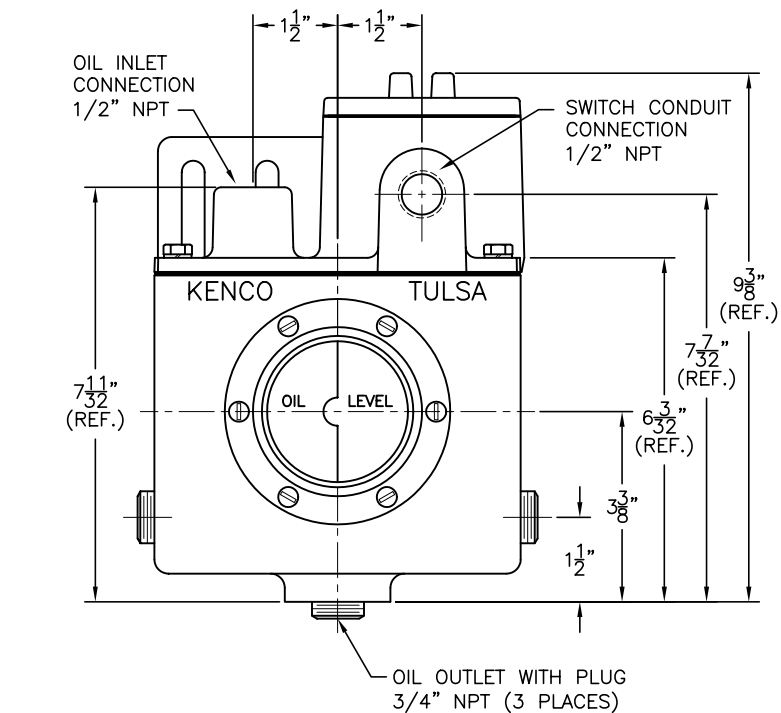


**FIRE SAFE VALVE**

- |                     |                     |
|---------------------|---------------------|
| <b>MODEL 50-FS:</b> | <b>MODEL 75-FS:</b> |
| A-1/2" NPT          | A-3/4" NPT          |
| B-5/8"              | B-3/4"              |
| C-1-1/4"            | C-1-1/2"            |
| D-1-9/16"           | D-1-3/4"            |
| E-3-1/8"            | E-3-1/2"            |
| F-3-15/16"          | F-4-7/16"           |

- MODEL KLCE-9-FS
- MODEL KLCE-DPDT-9-FS
- MODEL KHL-9-FS
- MODEL KHL-DPDT-9-FS
- MODEL KSHL-9-FS
- MODEL KSSL-9-FS



DIMENSION ARE FOR REFERENCE PURPOSES ONLY AND ARE SUBJECT TO CHANGE AT ANY TIME WITHOUT NOTICE. COPYRIGHT © 2003-KENCO INTERNATIONAL, INC.-ALL RIGHTS RESERVED

REV.	DATE	BY	ECN	EXPLANATION:	KENCO ENGINEERING COMPANY TULSA, OKLAHOMA
					DATE: 02-03-03 SHEET: 1 OF 1 DRAWING NUMBER
					DRN. BY: DS CHKD. BY: C-44726
					SCALE: NONE REVISION: