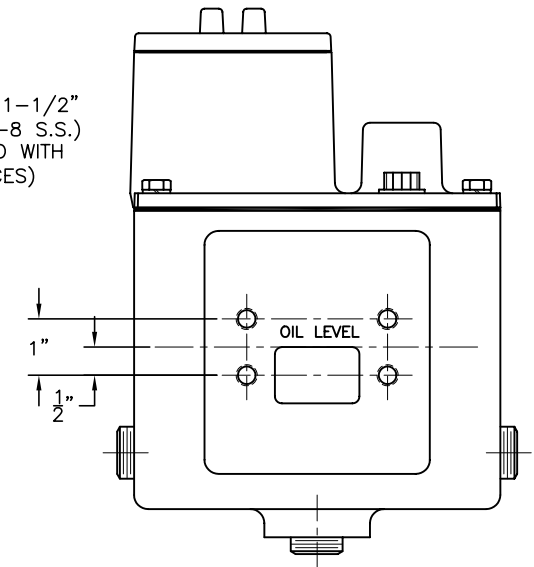
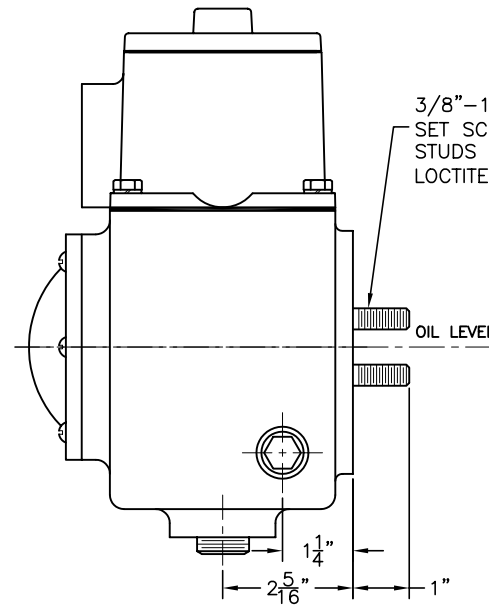
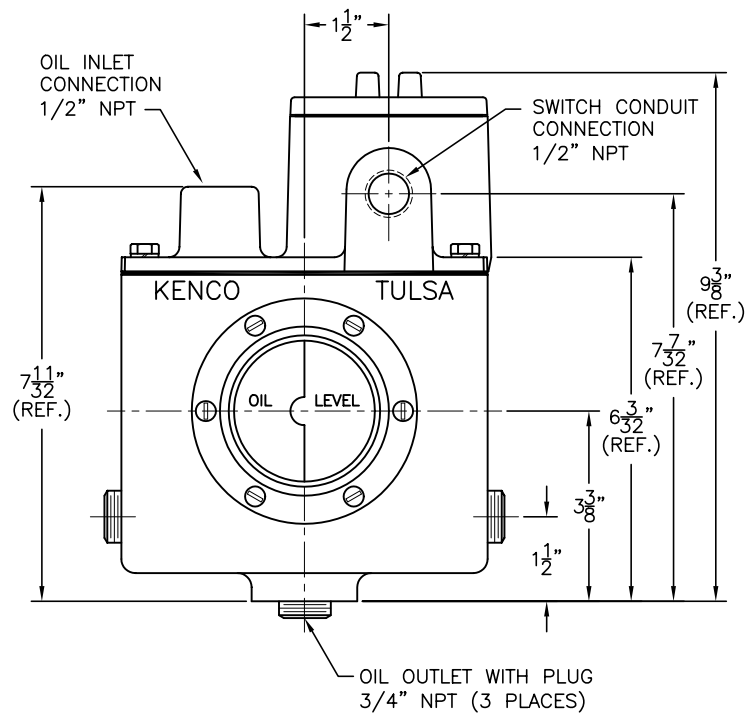
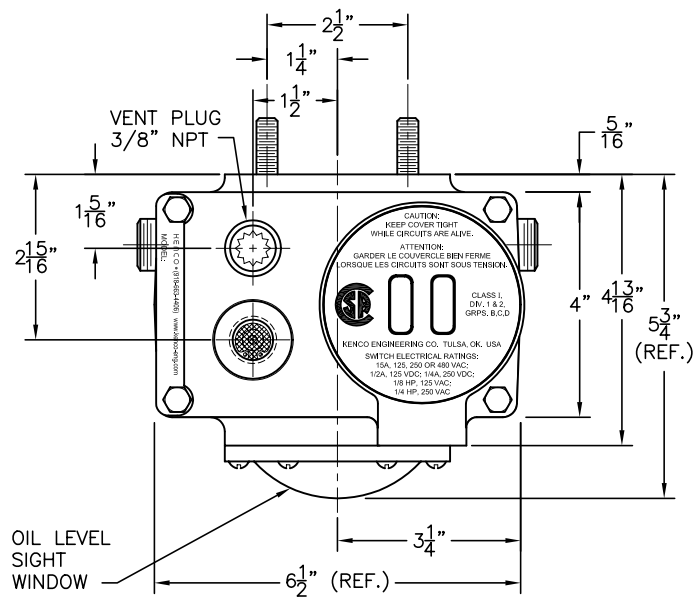


MODEL KLCE-MS-9
MODEL KLCE-DPDT-MS-9
MODEL KHL-MS-9
MODEL KHL-DPDT-MS-9
MODEL KSHL-MS-9
MODEL KSSL-MS-9



DIMENSION ARE FOR REFERENCE PURPOSES ONLY AND
 ARE SUBJECT TO CHANGE AT ANY TIME WITHOUT NOTICE.
 COPYRIGHT © 2003 KENCO INTERNATIONAL, INC. ALL RIGHTS RESERVED

REV.	DATE	BY	ECN	EXPLANATION:

KENCO ENGINEERING COMPANY TULSA, OKLAHOMA		
CONTROLLER, OIL LEVEL WITH MOUNT (OUTLINE DRAWING) MODEL KLCE-MS-9		
DATE: 02-05-03 DRN. BY: DS SCALE: NONE	SHEET: 1 OF 1 CHKD. BY: REVISION:	DRAWING NUMBER C-43623