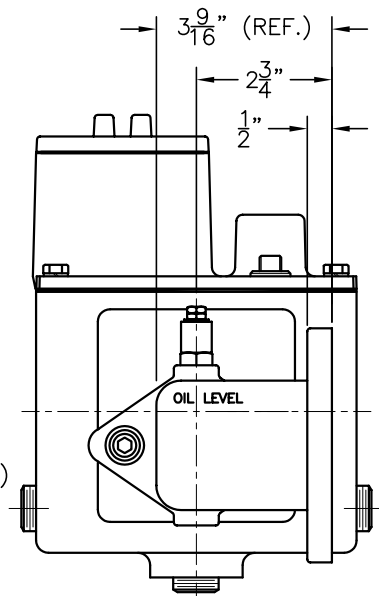
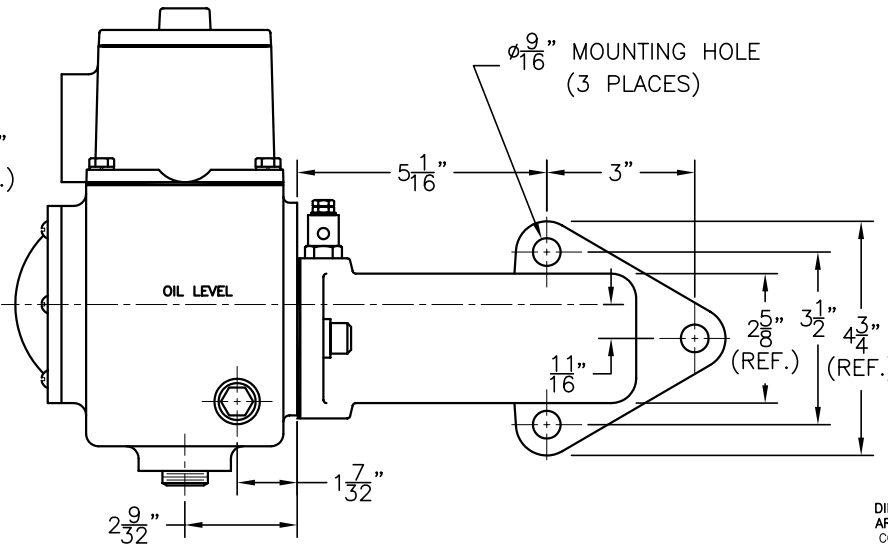
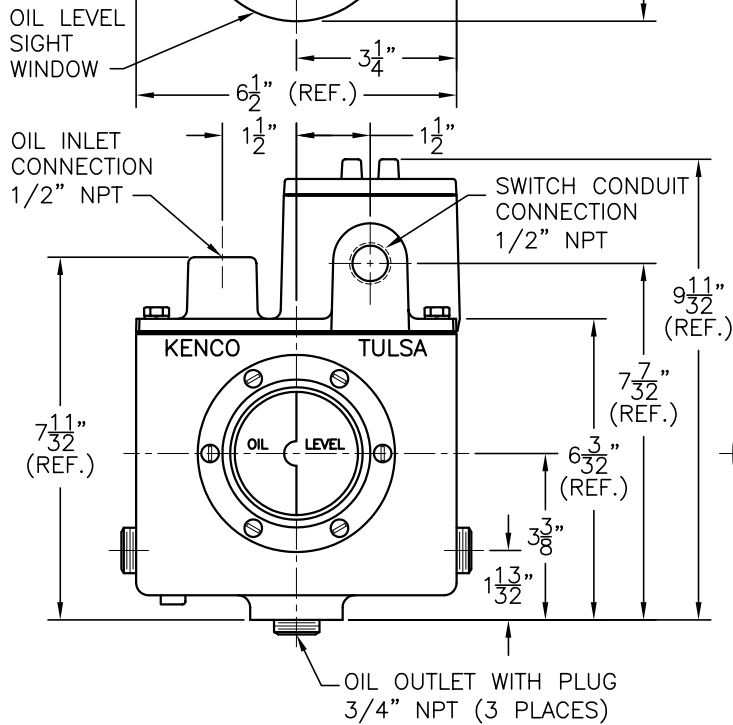


FIRE SAFE VALVE

MODEL 50-FS:

- A=1/2"
- B=5/8"
- C=1-1/4"
- D=1-9/16"
- E=3-1/8"
- F=3-7/8"

- MODEL KLCE-14-FS
- MODEL KLCE-DPDT-14-FS
- MODEL KHL-14-FS
- MODEL KHL-DPDT-14-FS
- MODEL KSHL-14-FS
- MODEL KSSL-14-FS



DIMENSIONS ARE FOR REFERENCE PURPOSES ONLY AND ARE SUBJECT TO CHANGE AT ANY TIME WITHOUT NOTICE. COPYRIGHT © 2004-KENCO INTERNATIONAL, INC.-ALL RIGHTS RESERVED

REV.	DATE	BY	ECN	EXPLANATION:
A	02-20-04	DS	N/A	CL OF MTG. ADAPTER WAS 1/4" BELOW OIL LEVEL; 3/8" PIPE PLUG WAS SHOWN AS A VENT PLUG; MTG. ADAPTER WAS SHOWN BACKWARDS IN BACK VIEW; UPDATED MISC. REF. DIMS. ON CONTROLLER HOUSING

KENCO ENGINEERING COMPANY TULSA, OKLAHOMA		
CONTROLLER, OIL LEVEL WITH MOUNT (OUTLINE DRAWING) MODEL KLCE-14-FS		
DATE: 02-03-03	SHEET: 1 OF 1	DRAWING NUMBER
DRN. BY: DS	CHKD. BY:	C-44734
SCALE: NONE	REVISION: A	