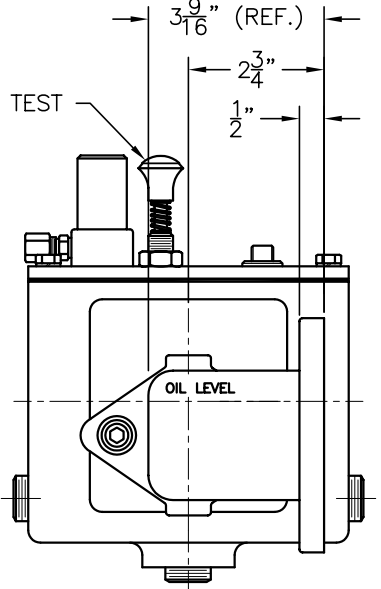
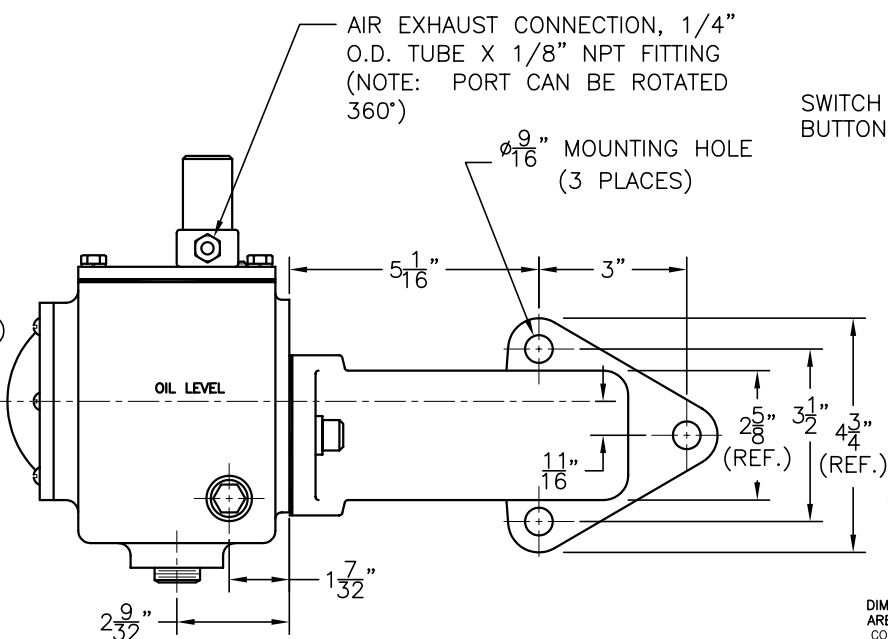
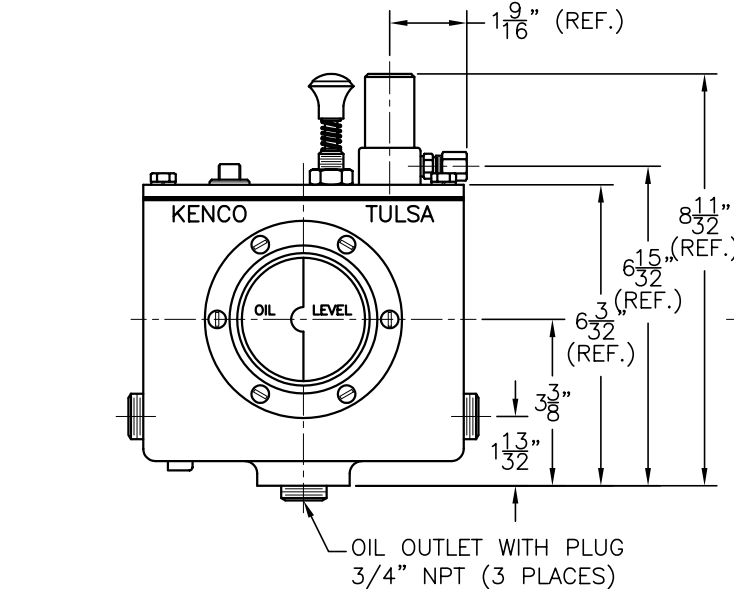
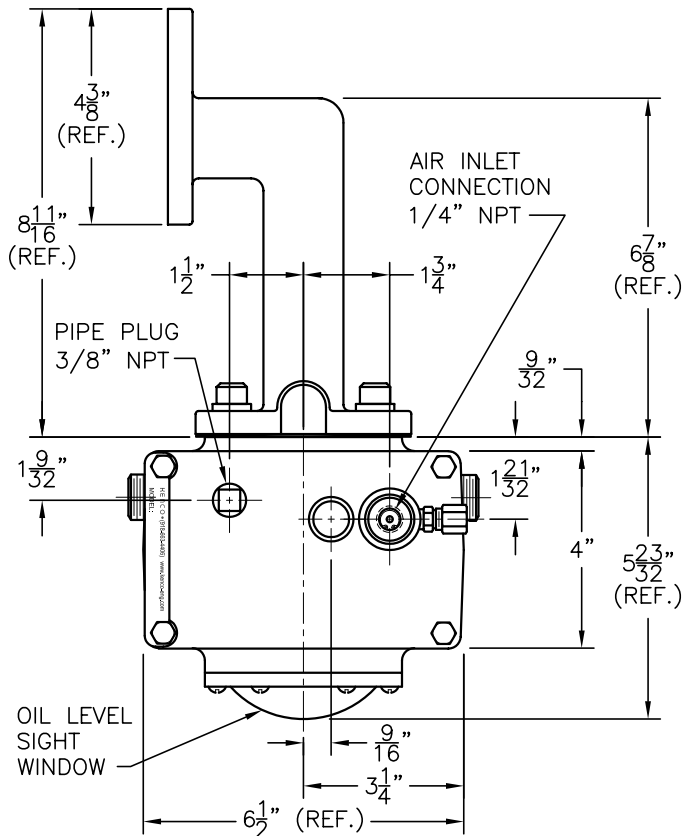


MODEL KPS-14



DIMENSIONS ARE FOR REFERENCE PURPOSES ONLY AND ARE SUBJECT TO CHANGE AT ANY TIME WITHOUT NOTICE. COPYRIGHT © 2004-KENCO INTERNATIONAL, INC.-ALL RIGHTS RESERVED

REV.	DATE	BY	ECN	EXPLANATION:
A	02-20-04	DS	-	CL OF MTG. ADAPTER WAS 1/4" BELOW OIL LEVEL; 3/8" PIPE PLUG WAS SHOWN AS A VENT PLUG; MTG. ADAPTER WAS SHOWN BACKWARDS IN BACK VIEW; UP-DATED MISC. REF. DIMS. ON CONTROLLER HOUSING

KENCO ENGINEERING COMPANY TULSA, OKLAHOMA		
CONTROLLER, OIL LEVEL WITH MOUNT (OUTLINE DRAWING) MODEL KPS-14		
DATE: 02-03-03	SHEET: 1 OF 1	DRAWING NUMBER
DRN. BY: DS	CHKD. BY:	C-44800
SCALE: NONE	REVISION: A	