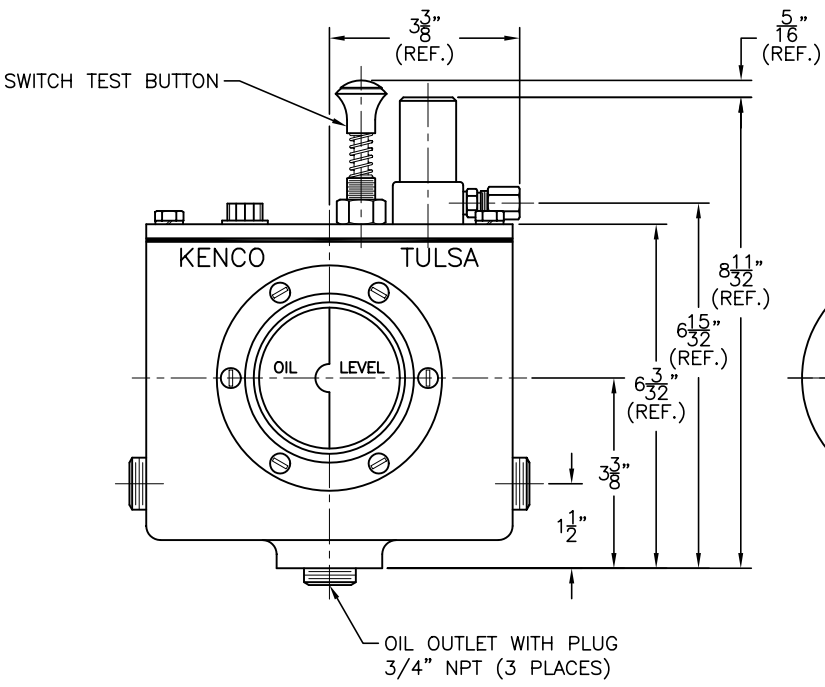
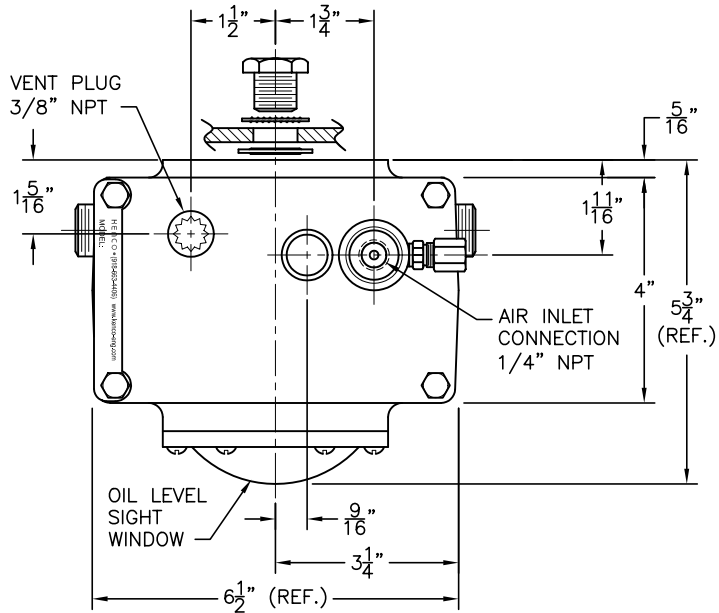
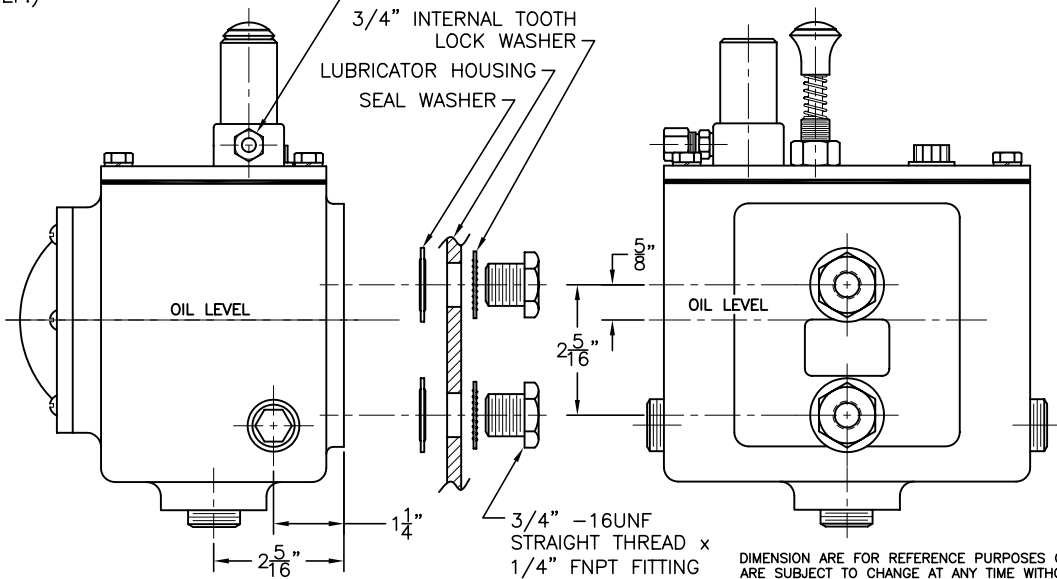


MODEL KPS-11



AIR EXHAUST CONNECTION,
1/4" O.D. TUBE X 1/8"
NPT FITTING (NOTE: PORT
CAN BE ROTATED 360°)



DIMENSION ARE FOR REFERENCE PURPOSES ONLY AND ARE SUBJECT TO CHANGE AT ANY TIME WITHOUT NOTICE.
COPYRIGHT © 2003-KENCO INTERNATIONAL, INC.-ALL RIGHTS RESERVED

REV.	DATE	BY	ECN	EXPLANATION:

KENCO ENGINEERING COMPANY
TULSA, OKLAHOMA

CONTROLLER, OIL LEVEL WITH MOUNT
(OUTLINE DRAWING) MODEL KPS-11

DATE: 02-03-03	SHEET: 1 OF 1	DRAWING NUMBER
DRN. BY: DS	CHKD. BY:	C-44797
SCALE: NONE	REVISION:	