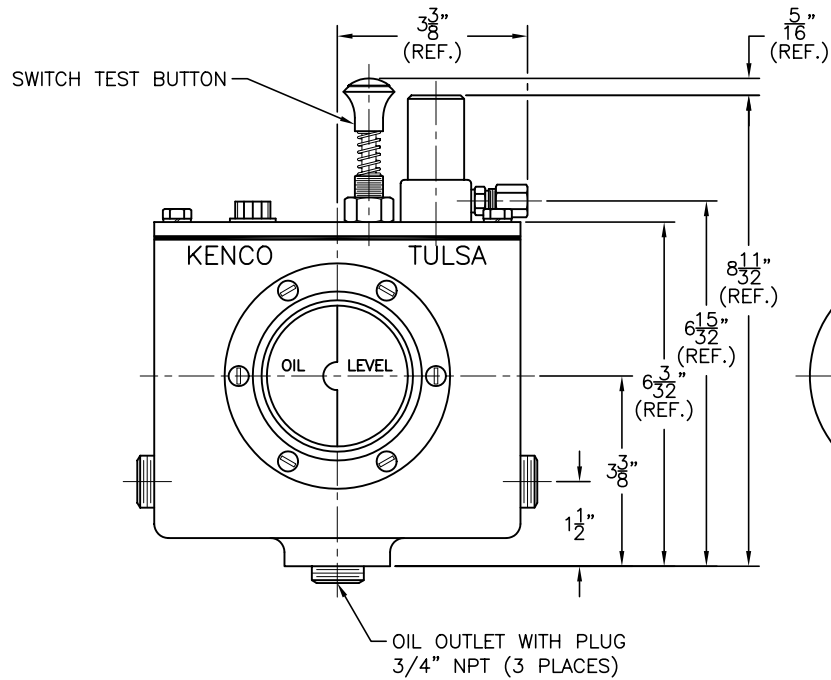


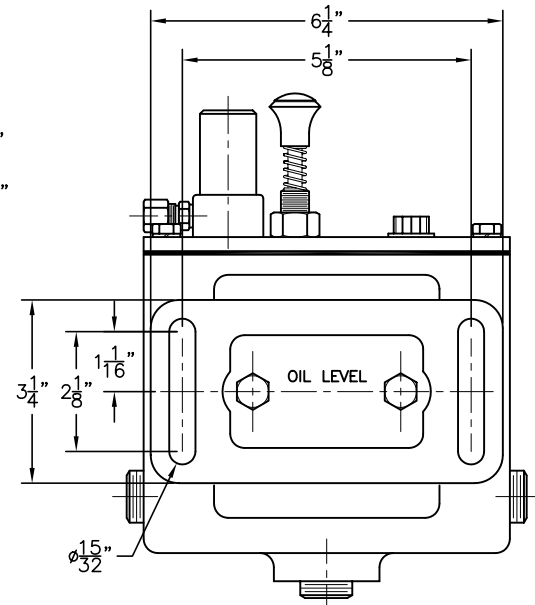
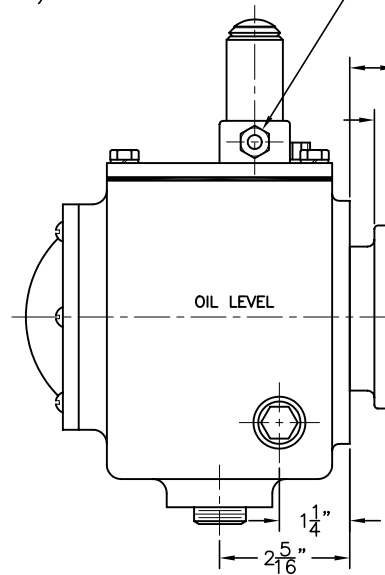
**FIRE SAFE VALVE**

MODEL 75-FS:  
 A-3/4" NPT  
 B-3/4"  
 C-1-1/2"  
 D-1-3/4"  
 E-3-1/2"  
 F-4-7/16"

**MODEL KPS-10-FS**



AIR EXHAUST CONNECTION,  
 1/4" O.D. TUBE X 1/8"  
 NPT FITTING (NOTE: PORT  
 CAN BE ROTATED 360°)



DIMENSIONS ARE FOR REFERENCE PURPOSES ONLY AND  
 ARE SUBJECT TO CHANGE AT ANY TIME WITHOUT NOTICE.  
 COPYRIGHT © 2003 KENCO INTERNATIONAL, INC. ALL RIGHTS RESERVED

REV.	DATE	BY	ECN	EXPLANATION:	<b>KENCO ENGINEERING COMPANY</b> TULSA, OKLAHOMA CONTROLLER, OIL LEVEL WITH MOUNT (OUTLINE DRAWING) MODEL KPS-10-FS DATE: 02-03-03    SHEET: 1 OF 1    DRAWING NUMBER DRN. BY: DS    CHKD. BY: SCALE: NONE    REVISION:    C-44796