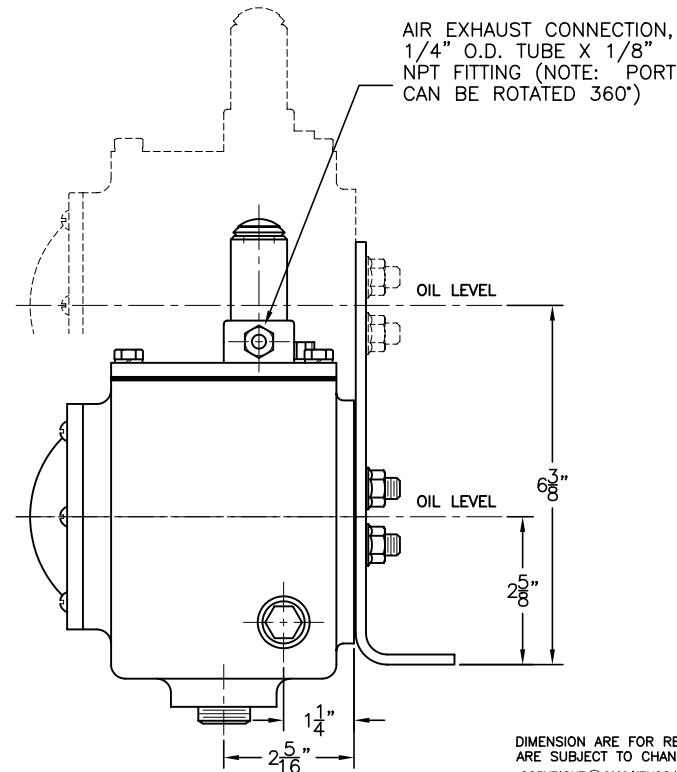
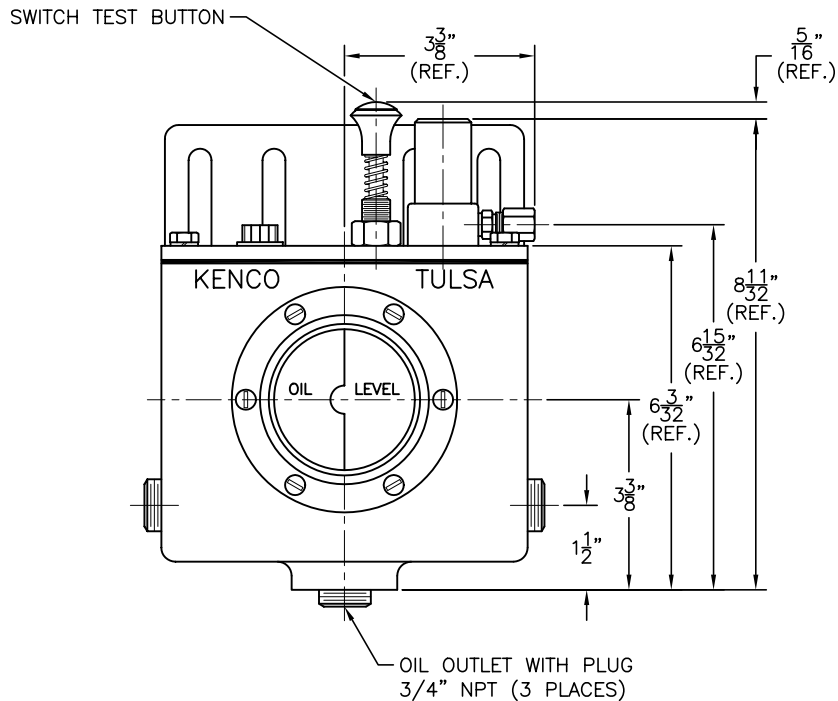
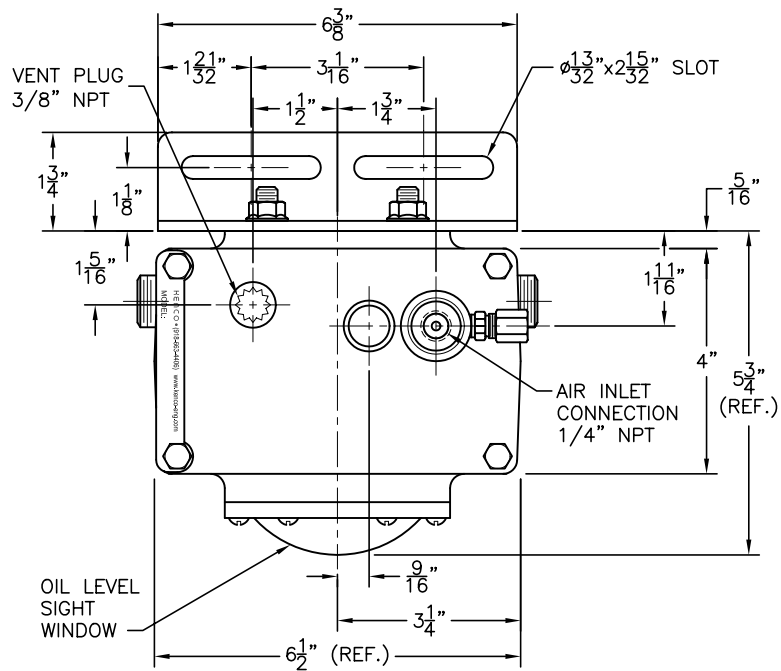


# MODEL KPS-9



DIMENSION ARE FOR REFERENCE PURPOSES ONLY AND ARE SUBJECT TO CHANGE AT ANY TIME WITHOUT NOTICE. COPYRIGHT © 2003 KENCO INTERNATIONAL, INC. ALL RIGHTS RESERVED

REV.	DATE	BY	ECN	EXPLANATION:	KENCO ENGINEERING COMPANY TULSA, OKLAHOMA
					DATE: 02-03-03 SHEET: 1 OF 1 DRAWING NUMBER
					DRN. BY: DS CHKD. BY: C-44793
					SCALE: NONE REVISION: