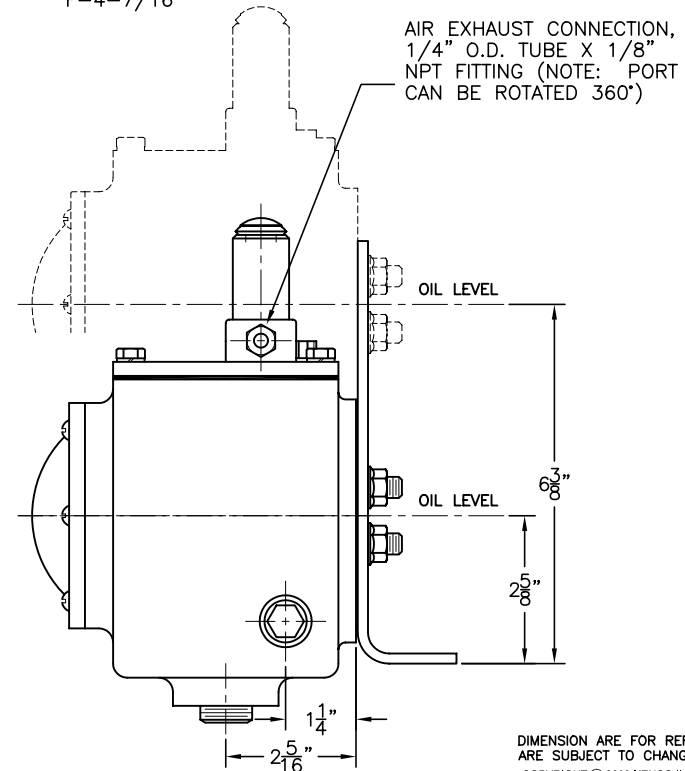
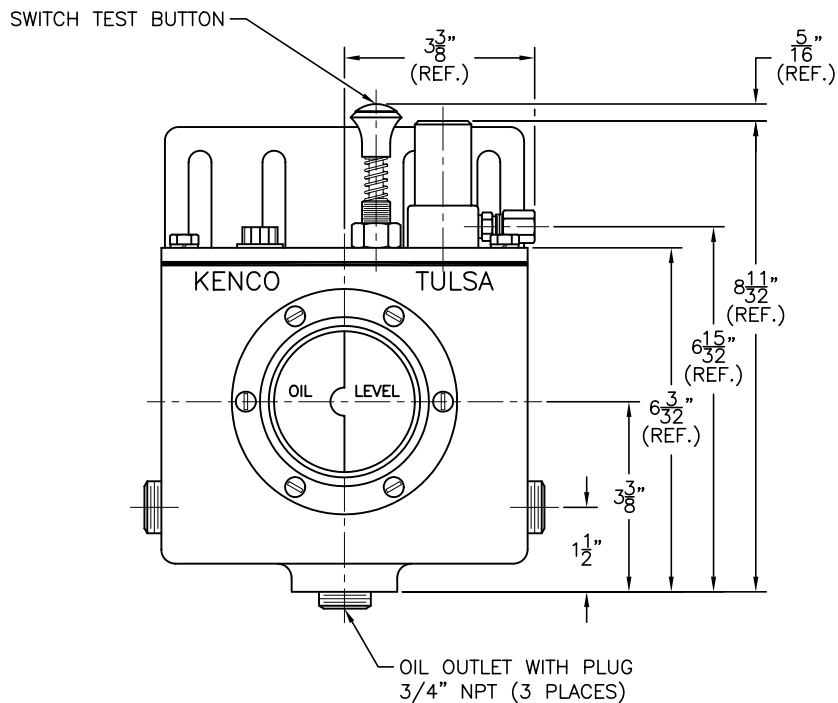


**FIRE SAFE VALVE**

- MODEL 75-FS:  
 A-3/4" NPT  
 B-3/4"  
 C-1-1/2"  
 D-1-3/4"  
 E-3-1/2"  
 F-4-7/16"

**MODEL KPS-9-FS**



DIMENSION ARE FOR REFERENCE PURPOSES ONLY AND ARE SUBJECT TO CHANGE AT ANY TIME WITHOUT NOTICE. COPYRIGHT © 2003 KENCO INTERNATIONAL, INC. ALL RIGHTS RESERVED

REV.	DATE	BY	ECN	EXPLANATION:	<b>KENCO ENGINEERING COMPANY</b> TULSA, OKLAHOMA CONTROLLER, OIL LEVEL WITH MOUNT (OUTLINE DRAWING) MODEL KPS-9-FS DATE: 02-03-03 SHEET: 1 OF 1 DRAWING NUMBER DRN. BY: DS CHKD. BY: C-44794 SCALE: NONE REVISION: