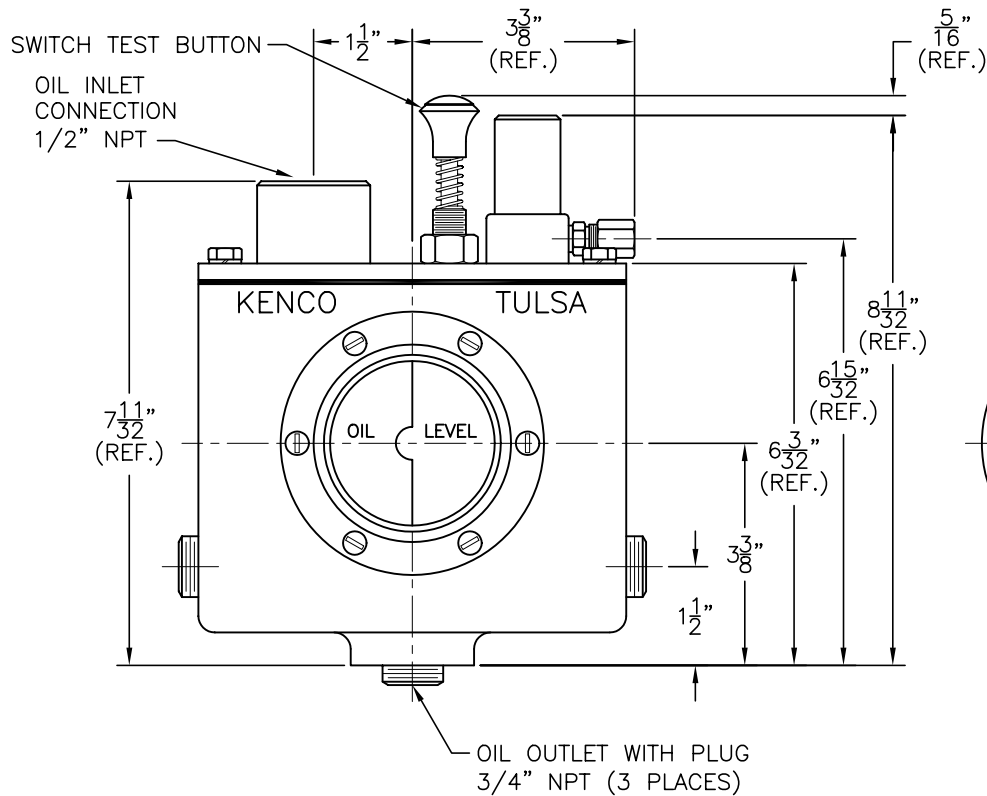
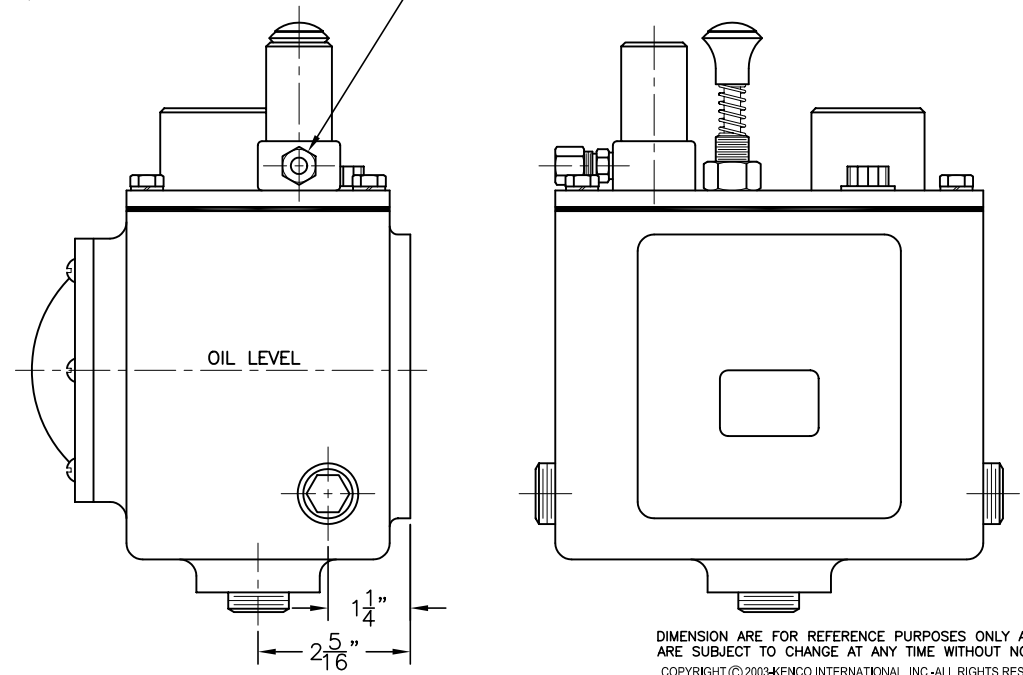


MODEL KLCP



AIR EXHAUST CONNECTION,
1/4" O.D. TUBE X 1/8"
NPT FITTING (NOTE: PORT
CAN BE ROTATED 360°)



DIMENSION ARE FOR REFERENCE PURPOSES ONLY AND
ARE SUBJECT TO CHANGE AT ANY TIME WITHOUT NOTICE.
COPYRIGHT © 2003 KENCO INTERNATIONAL, INC.-ALL RIGHTS RESERVED

REV.	DATE	BY	ECN	EXPLANATION:	KENCO ENGINEERING COMPANY TULSA, OKLAHOMA
					DATE: 02-04-03 SHEET: 1 OF 1 DRAWING NUMBER
					DRN. BY: DS CHKD. BY: C-44679
					SCALE: NONE REVISION: