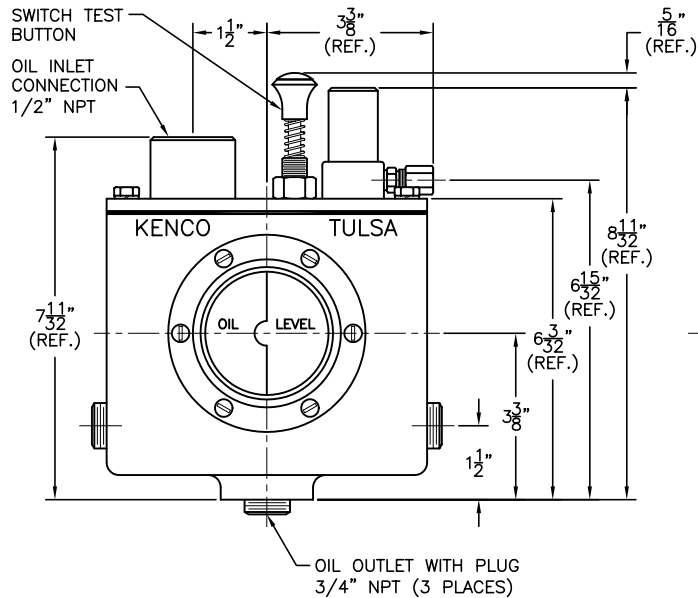
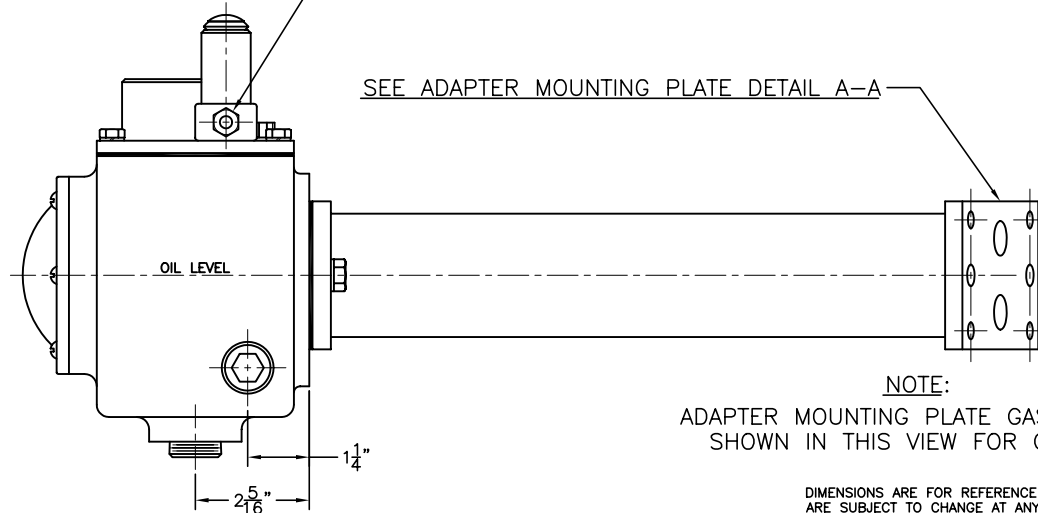


ADAPTER MOUNTING PLATE DETAIL A-A

MODEL KLCP-48



AIR EXHAUST CONNECTION,
1/4" O.D. TUBE X 1/8"
NPT FITTING (NOTE: PORT
CAN BE ROTATED 360°)



SEE ADAPTER MOUNTING PLATE DETAIL A-A

NOTE:
ADAPTER MOUNTING PLATE GASKET NOT
SHOWN IN THIS VIEW FOR CLARITY

DIMENSIONS ARE FOR REFERENCE PURPOSES ONLY AND
ARE SUBJECT TO CHANGE AT ANY TIME WITHOUT NOTICE.
COPYRIGHT © 2003-KENCO INTERNATIONAL, INC.-ALL RIGHTS RESERVED

REV.	DATE	BY	ECN	EXPLANATION:
A	05-27-03	DS	N/A	CHANGED TO MATCH NEW TYPE 48 ADAPTER

KENCO ENGINEERING COMPANY TULSA, OKLAHOMA			
CONTROLLER, OIL LEVEL WITH MOUNT (OUTLINE DRAWING) MODEL KLCP-48			
DATE: 02-04-03	SHEET: 1 OF 1	DRAWING NUMBER	
DRN. BY: DS	CHKD. BY:	C-44790	
SCALE: NONE	REVISION: A		