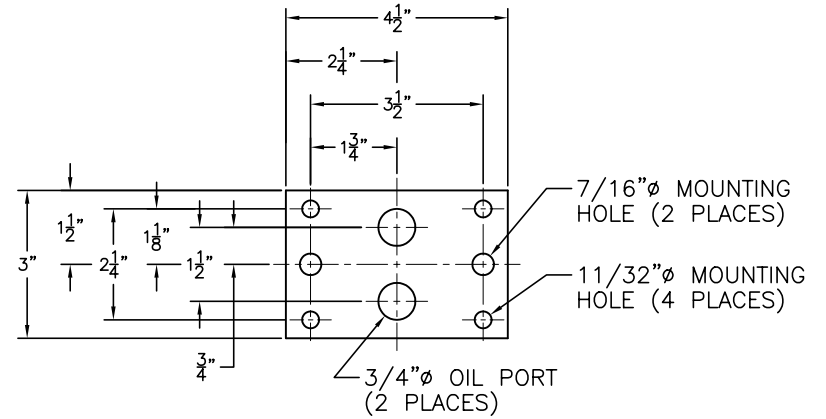


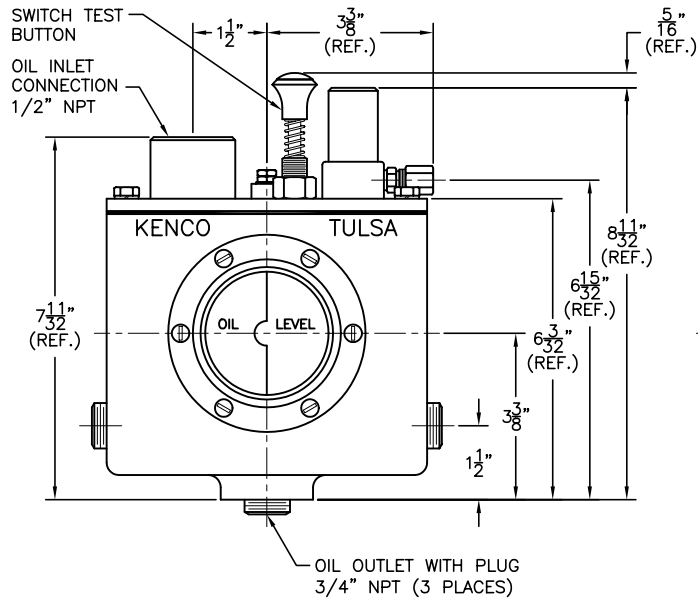
FIRE SAFE VALVE

- MODEL 50-FS:
 A-1/2" NPT
 B-5/8"
 C-1-1/4"
 D-1-9/16"
 E-3-1/8"
 F-3-15/16"

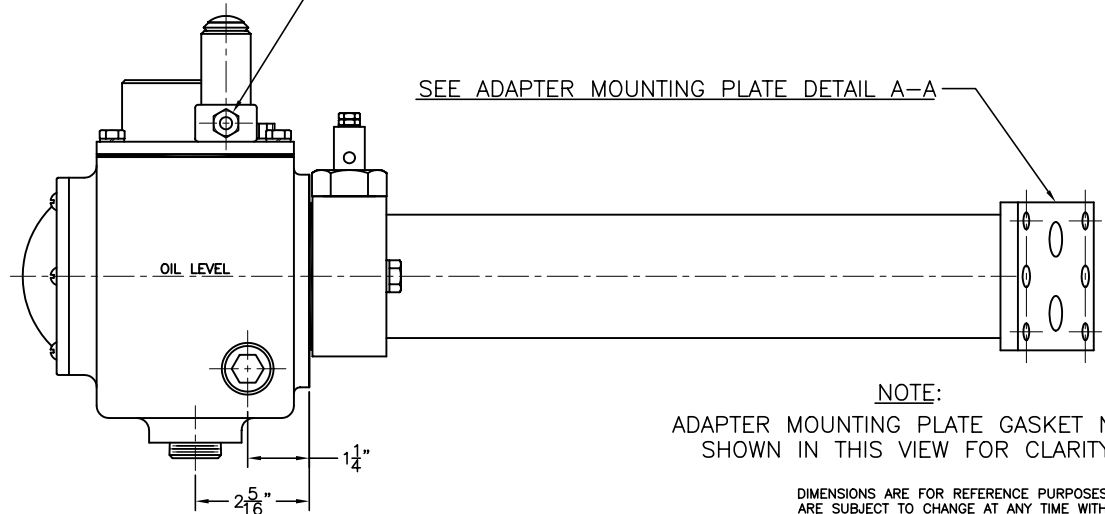


ADAPTER MOUNTING PLATE DETAIL A-A

MODEL KLCP-48-FS



AIR EXHAUST CONNECTION,
 1/4" O.D. TUBE X 1/8"
 NPT FITTING (NOTE: PORT
 CAN BE ROTATED 360°)



NOTE:
 ADAPTER MOUNTING PLATE GASKET NOT
 SHOWN IN THIS VIEW FOR CLARITY

DIMENSIONS ARE FOR REFERENCE PURPOSES ONLY AND
 ARE SUBJECT TO CHANGE AT ANY TIME WITHOUT NOTICE.
 COPYRIGHT © 2003-KENCO INTERNATIONAL, INC.-ALL RIGHTS RESERVED

REV.	DATE	BY	ECN	EXPLANATION:
A	05-27-03	DS	N/A	CHANGED TO MATCH NEW TYPE 48 ADAPTER

KENCO ENGINEERING COMPANY TULSA, OKLAHOMA		
CONTROLLER, OIL LEVEL WITH MOUNT (OUTLINE DRAWING) MODEL KLCP-48-FS		
DATE: 02-04-03	SHEET: 1 OF 1	DRAWING NUMBER
DRN. BY: DS	CHKD. BY:	C-44791
SCALE: NONE	REVISION: A	