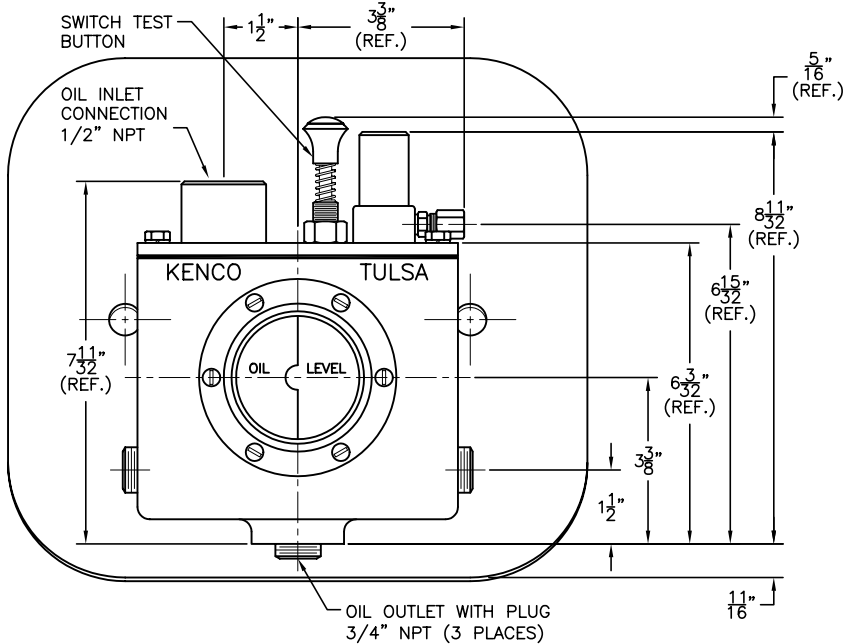
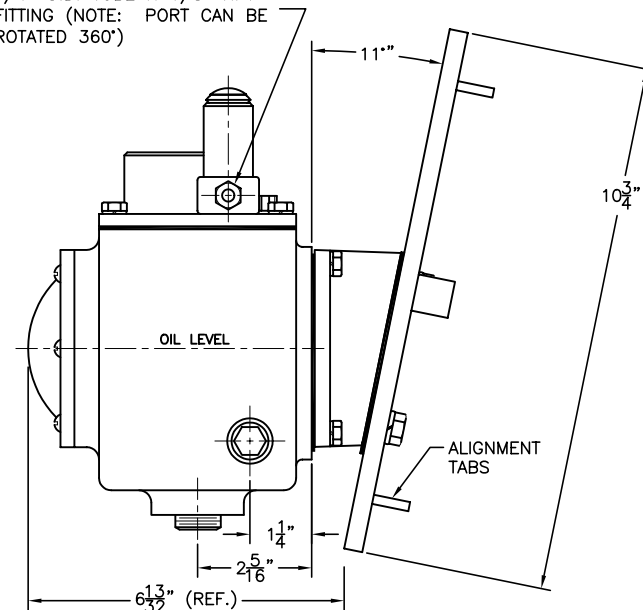


MODEL KLCP-27



AIR EXHAUST CONNECTION,
1/4" O.D. TUBE X 1/8" NPT
FITTING (NOTE: PORT CAN BE
ROTATED 360°)



DIMENSION ARE FOR REFERENCE PURPOSES ONLY AND
ARE SUBJECT TO CHANGE AT ANY TIME WITHOUT NOTICE.
COPYRIGHT © 2003 KENCO INTERNATIONAL, INC. ALL RIGHTS RESERVED

WAUKESHA VHP ENGINES
(HAVING INSPECTION DOOR WITH (2) MOUNTING BOLTS)
F2895, F3251, F5108, L5790, AND L7042
(Supplied with all mounting hardware/seals)

REV.	DATE	BY	ECN	EXPLANATION:	KENCO ENGINEERING COMPANY TULSA, OKLAHOMA CONTROLLER, OIL LEVEL WITH MOUNT (OUTLINE DRAWING) MODEL KLCP-27
DATE: 02-04-03 SHEET: 1 OF 1 DRAWING NUMBER					C-44786
DRN. BY: DS CHKD. BY:					
SCALE: NONE REVISION:					