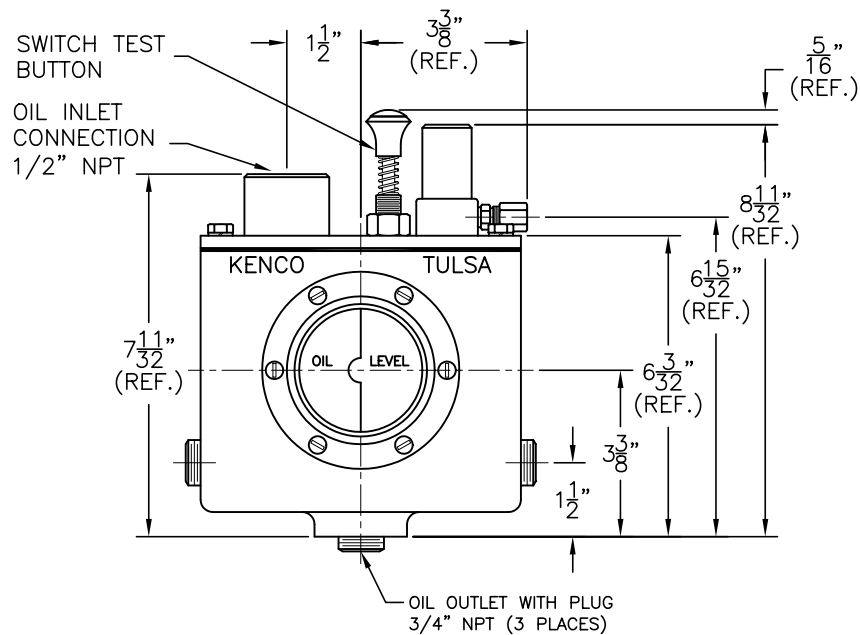
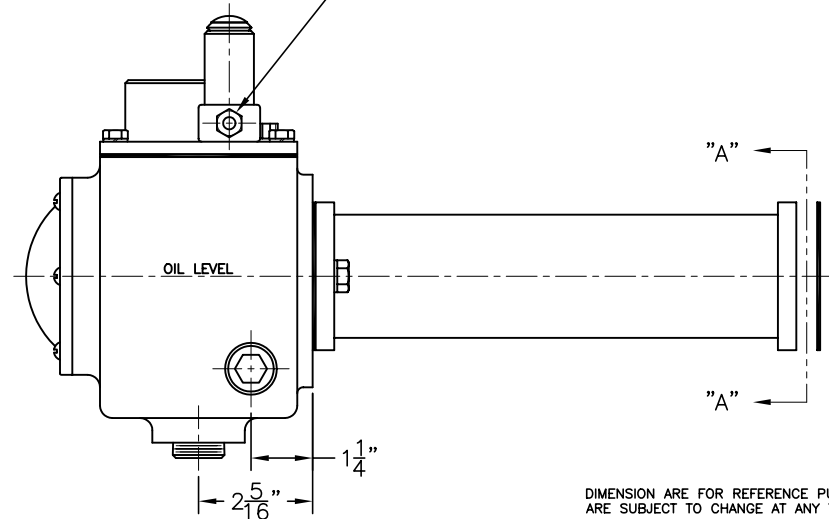


ADAPTER MOUNTING PLATE DETAIL A-A

MODEL KLCP-24



AIR EXHAUST CONNECTION,
1/4" O.D. TUBE X 1/8" NPT
FITTING (NOTE: PORT CAN BE
ROTATED 360°)



DIMENSION ARE FOR REFERENCE PURPOSES ONLY AND
ARE SUBJECT TO CHANGE AT ANY TIME WITHOUT NOTICE.
COPYRIGHT © 2003-KENCO INTERNATIONAL, INC.-ALL RIGHTS RESERVED

REV.	DATE	BY	ECN	EXPLANATION:	KENCO ENGINEERING COMPANY TULSA, OKLAHOMA		
					CONTROLLER, OIL LEVEL WITH MOUNT (OUTLINE DRAWING) MODEL KLCP-24		
					DATE: 02-04-03	SHEET: 1 OF 1	DRAWING NUMBER
					DRN. BY: DS	CHKD. BY:	C-44784
					SCALE: NONE	REVISION:	