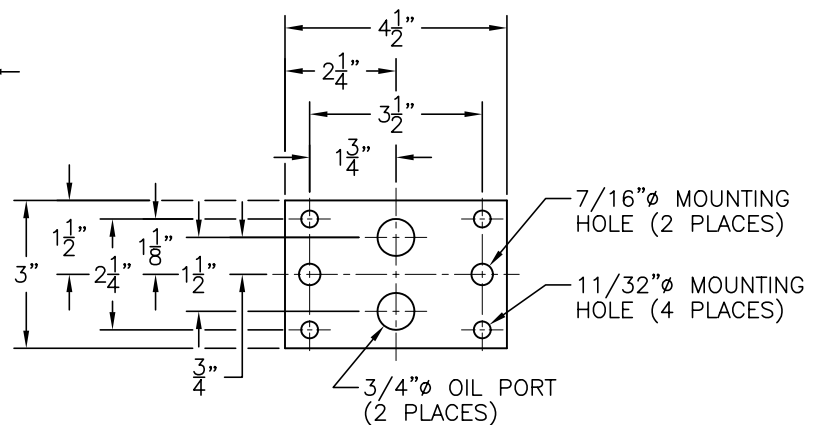
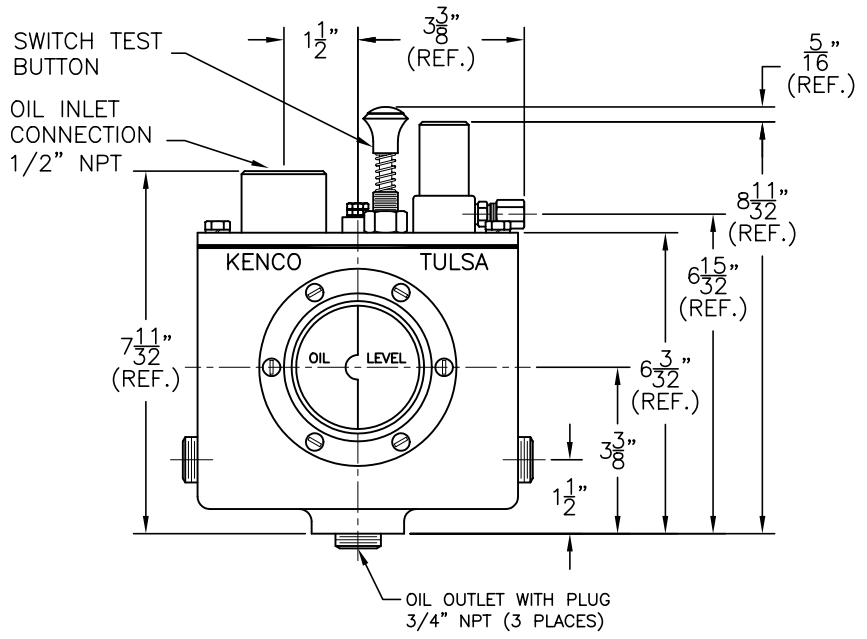


MODEL 50-FS:
 A-1/2" NPT
 B-5/8"
 C-1-1/4"
 D-1-9/16"
 E-3-1/8"
 F-3-15/16"

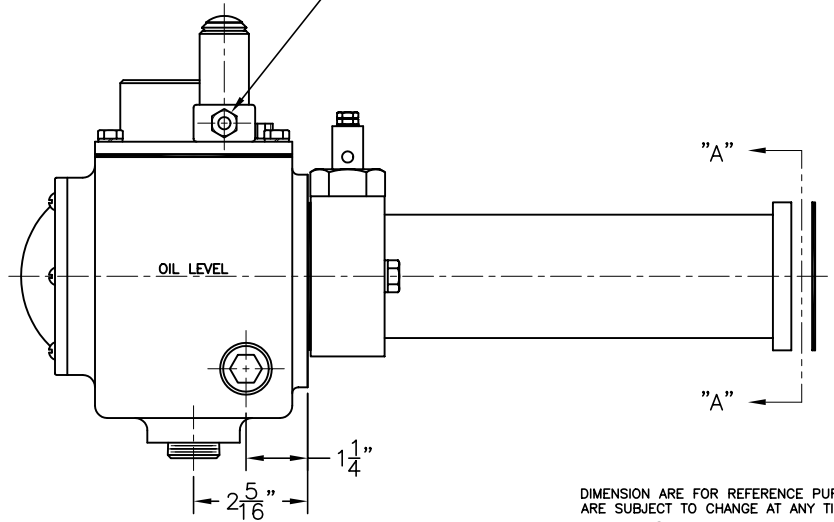


ADAPTER MOUNTING PLATE DETAIL A-A

MODEL KLCP-24-FS



AIR EXHAUST CONNECTION,
 1/4" O.D. TUBE X 1/8" NPT
 FITTING (NOTE: PORT CAN BE
 ROTATED 360°)



DIMENSION ARE FOR REFERENCE PURPOSES ONLY AND
 ARE SUBJECT TO CHANGE AT ANY TIME WITHOUT NOTICE.
 COPYRIGHT © 2003 KENCO INTERNATIONAL, INC.-ALL RIGHTS RESERVED

REV.	DATE	BY	ECN	EXPLANATION:	KENCO ENGINEERING COMPANY TULSA, OKLAHOMA		
					CONTROLLER, OIL LEVEL WITH MOUNT (OUTLINE DRAWING) MODEL KLCP-24-FS		
					DATE: 02-04-03	SHEET: 1 OF 1	DRAWING NUMBER
					DRN. BY: DS	CHKD. BY:	C-44785
					SCALE: NONE	REVISION:	