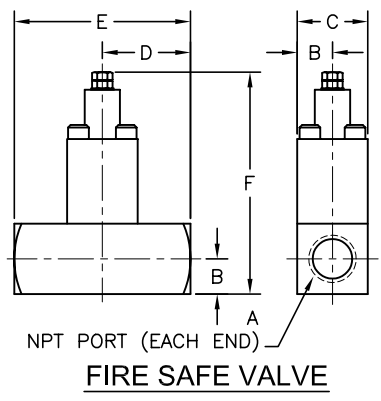
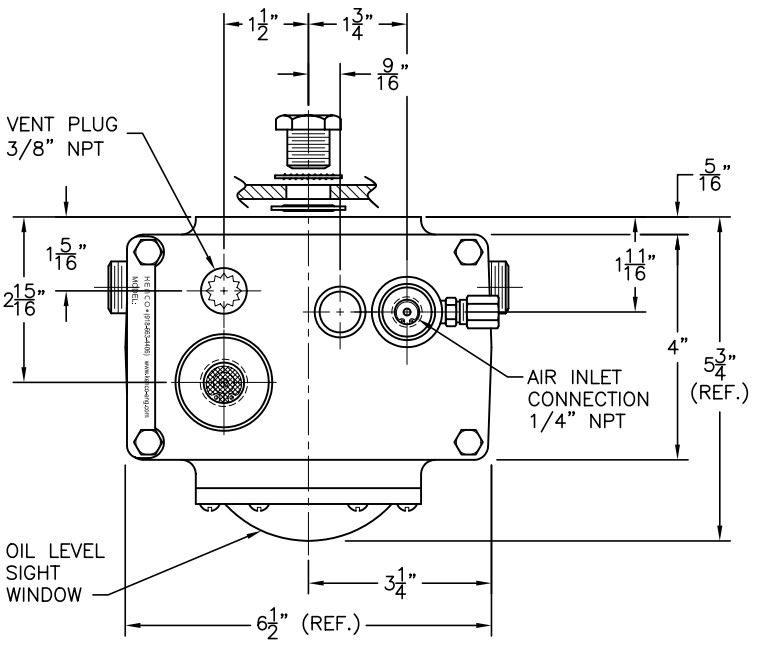
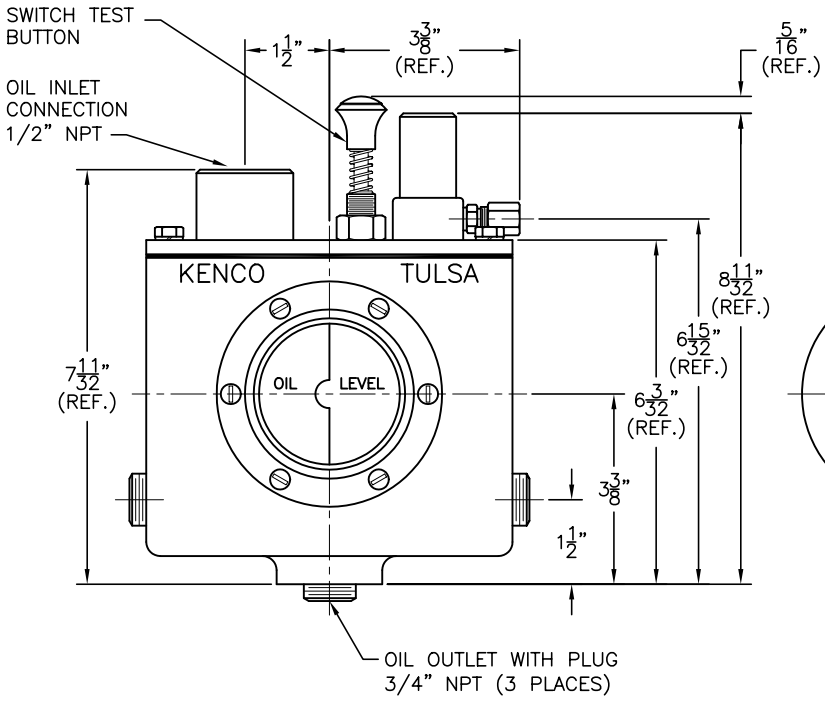


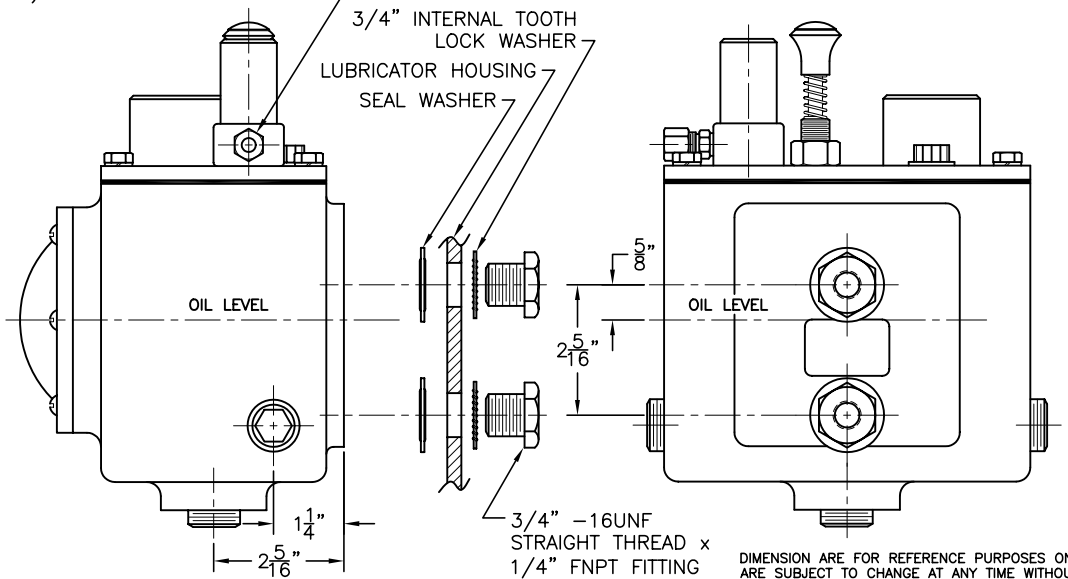
MODEL KLCP-11-FS



- MODEL 50-FS:
 A-1/2" NPT
 B-5/8"
 C-1-1/4"
 D-1-9/16"
 E-3-1/8"
 F-3-15/16"



AIR EXHAUST CONNECTION,
 1/4" O.D. TUBE X 1/8"
 NPT FITTING (NOTE: PORT
 CAN BE ROTATED 360°)



DIMENSION ARE FOR REFERENCE PURPOSES ONLY AND ARE SUBJECT TO CHANGE AT ANY TIME WITHOUT NOTICE.
 COPYRIGHT © 2003 KENCO INTERNATIONAL, INC. ALL RIGHTS RESERVED

REV.	DATE	BY	ECN	EXPLANATION:	KENCO ENGINEERING COMPANY TULSA, OKLAHOMA
					DATE: 02-03-03 SHEET: 1 OF 1 DRAWING NUMBER
					DRN. BY: DS CHKD. BY: C-44777
					SCALE: NONE REVISION: