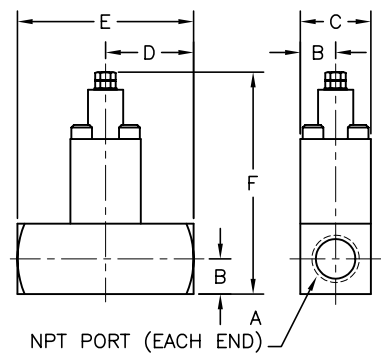
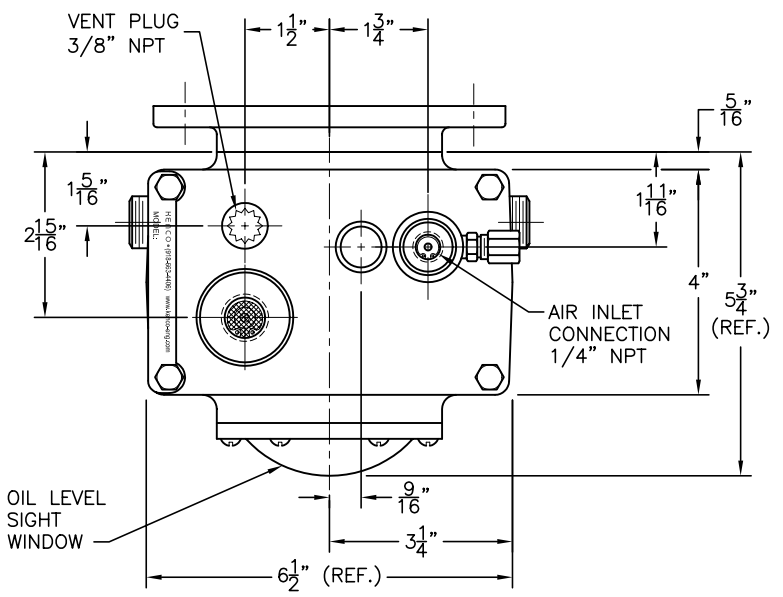
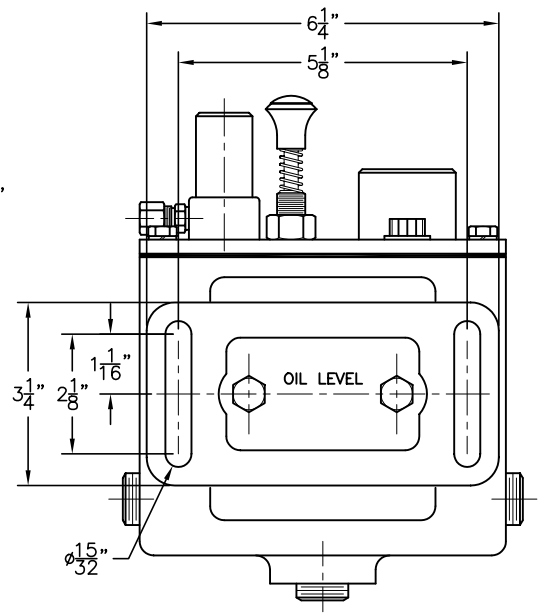
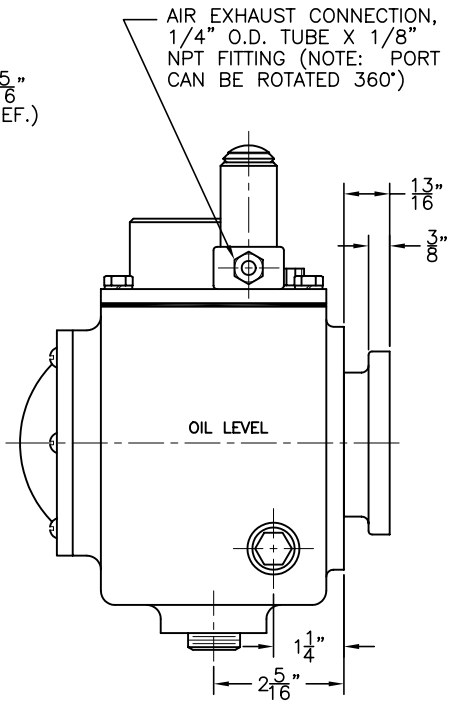
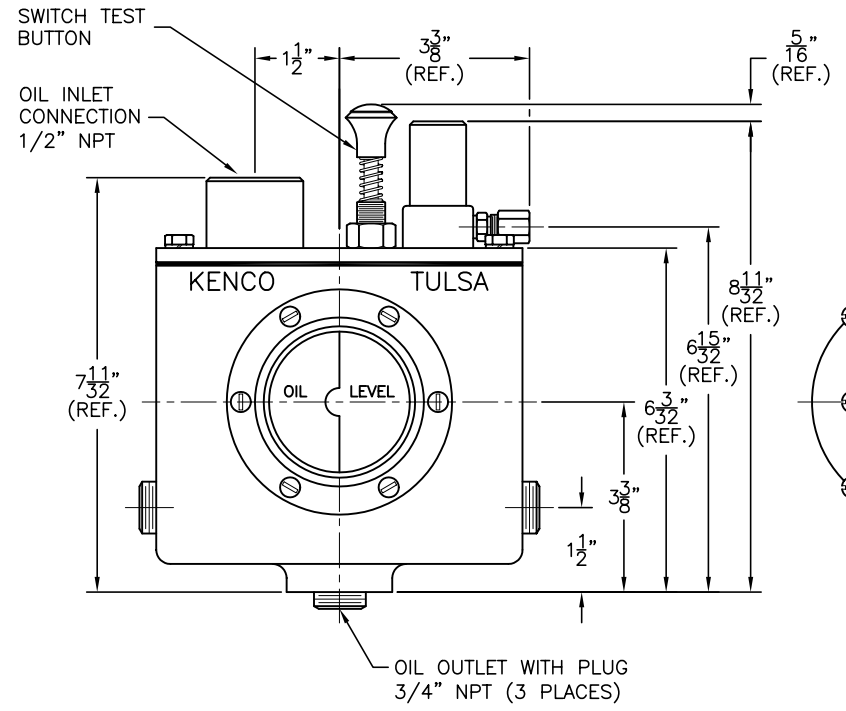


MODEL KLCP-10-FS



FIRE SAFE VALVE

- | | |
|--------------|--------------|
| MODEL 50-FS: | MODEL 75-FS: |
| A-1/2" NPT | A-3/4" NPT |
| B-5/8" | B-3/4" |
| C-1-1/4" | C-1-1/2" |
| D-1-9/16" | D-1-3/4" |
| E-3-1/8" | E-3-1/2" |
| F-3-15/16" | F-4-7/16" |



DIMENSION ARE FOR REFERENCE PURPOSES ONLY AND ARE SUBJECT TO CHANGE AT ANY TIME WITHOUT NOTICE.
COPYRIGHT © 2003-KENCO INTERNATIONAL, INC.-ALL RIGHTS RESERVED

REV.	DATE	BY	ECN	EXPLANATION:

KENCO ENGINEERING COMPANY TULSA, OKLAHOMA		
CONTROLLER, OIL LEVEL WITH MOUNT (OUTLINE DRAWING) MODEL KLCP-10-FS		
DATE: 02-03-03	SHEET: 1 OF 1	DRAWING NUMBER
DRN. BY: DS	CHKD. BY:	C-44775
SCALE: NONE	REVISION:	