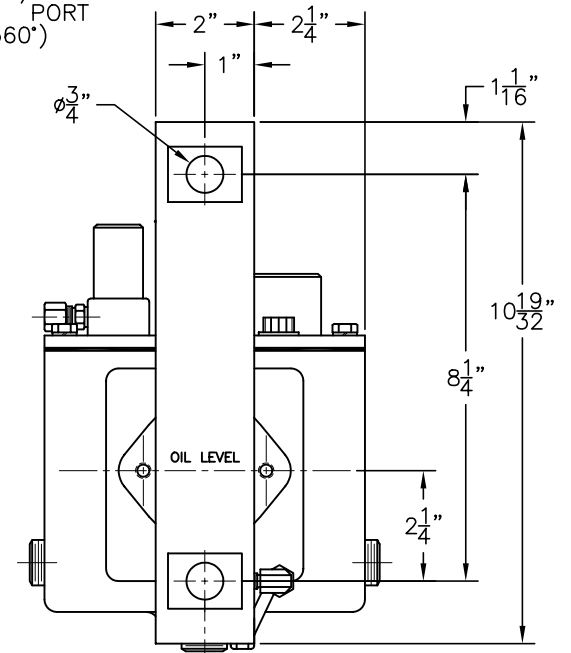


**MODEL KLCP-7**



DIMENSION ARE FOR REFERENCE PURPOSES ONLY AND ARE SUBJECT TO CHANGE AT ANY TIME WITHOUT NOTICE.  
COPYRIGHT © 2003 KENCO INTERNATIONAL, INC.-ALL RIGHTS RESERVED

| REV. | DATE | BY | ECN | EXPLANATION: | KENCO ENGINEERING COMPANY<br>TULSA, OKLAHOMA      |
|------|------|----|-----|--------------|---|
|      |      |    |     |              |   |
|      |      |    |     |              | DATE: 02-03-03    SHEET: 1 OF 1    DRAWING NUMBER |
|      |      |    |     |              | DRN. BY: DS    CHKD. BY:    C-44770               |
|      |      |    |     |              | SCALE: NONE    REVISION:                          |