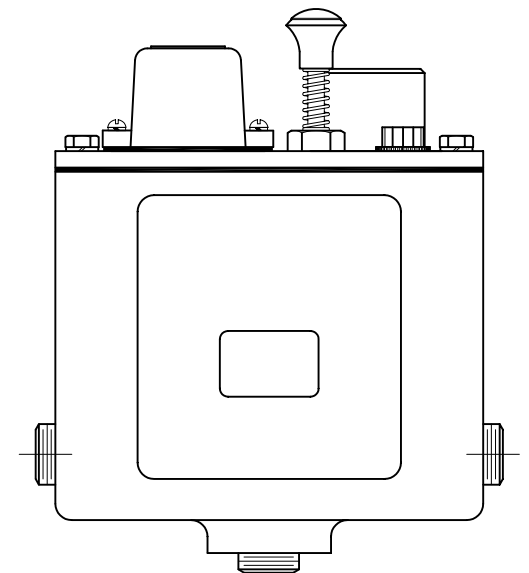
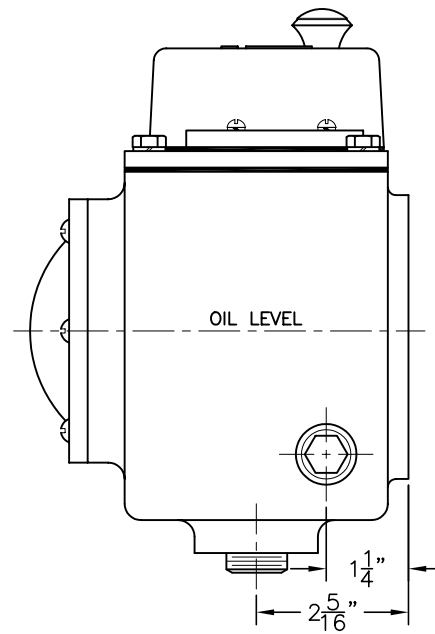
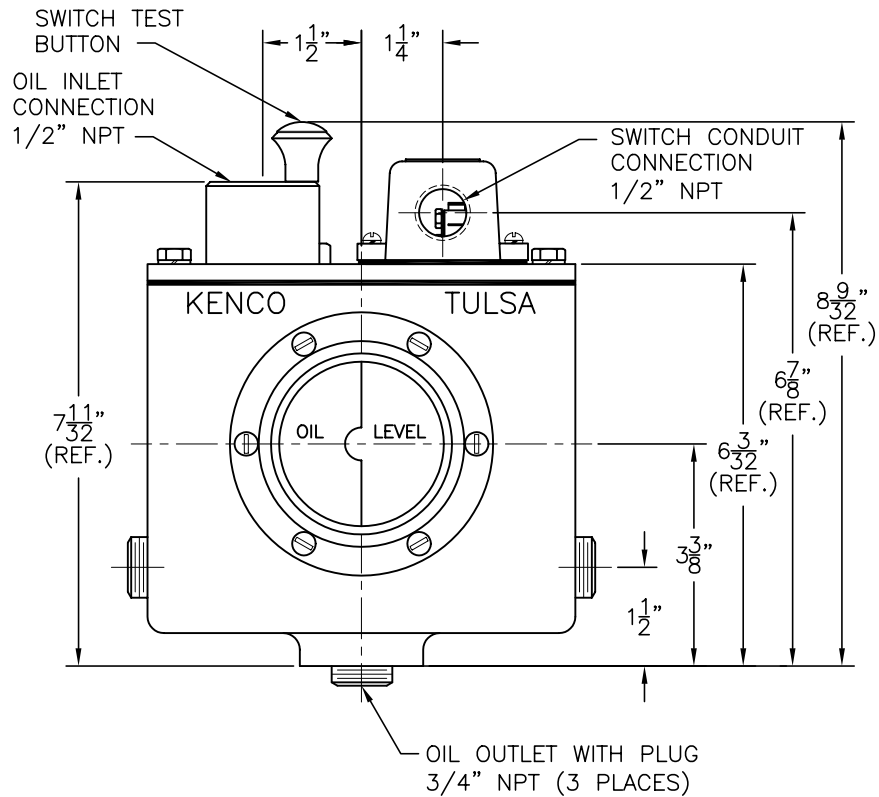


MODEL KLCM



DIMENSION ARE FOR REFERENCE PURPOSES ONLY AND ARE SUBJECT TO CHANGE AT ANY TIME WITHOUT NOTICE.
COPYRIGHT © 2003-KENCO INTERNATIONAL, INC.-ALL RIGHTS RESERVED

REV.	DATE	BY	ECN	EXPLANATION:	KENCO ENGINEERING COMPANY TULSA, OKLAHOMA		
					CONTROLLER, OIL LEVEL (OUTLINE DRAWING) MODEL KLCM		
					DATE: 02-04-03	SHEET: 1 OF 1	DRAWING NUMBER
					DRN. BY: DS	CHKD. BY:	C-44678
					SCALE: NONE	REVISION:	