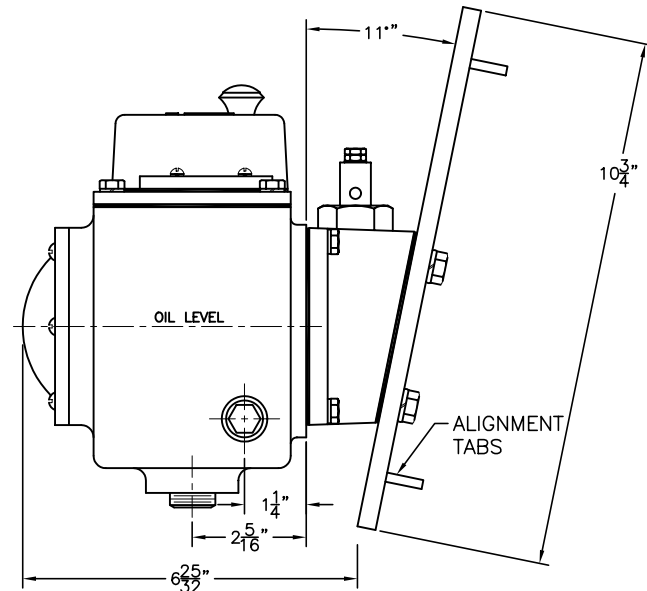
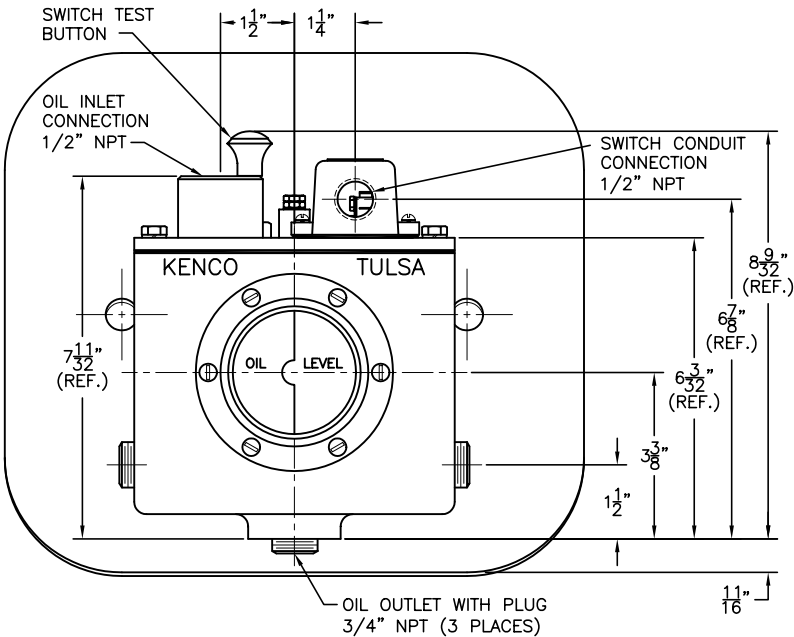


MODEL 50-FS:
 A-1/2" NPT
 B-5/8"
 C-1-1/4"
 D-1-9/16"
 E-3-1/8"
 F-3-15/16"



MODEL KLCM-27-FS

DIMENSION ARE FOR REFERENCE PURPOSES ONLY AND ARE SUBJECT TO CHANGE AT ANY TIME WITHOUT NOTICE.
 COPYRIGHT © 2003-KENCO INTERNATIONAL, INC.-ALL RIGHTS RESERVED

WAUKESHA VHP ENGINES

(HAVING INSPECTION DOOR WITH (2) MOUNTING BOLTS)
 F2895, F3251, F5108, L5790, AND L7042
 (Supplied with all mounting hardware/seals)

REV.	DATE	BY	ECN	EXPLANATION:	KENCO ENGINEERING COMPANY TULSA, OKLAHOMA
					DATE: 02-04-03 SHEET: 1 OF 1 DRAWING NUMBER
					DRN. BY: DS CHKD. BY: C-44764
					SCALE: NONE REVISION: