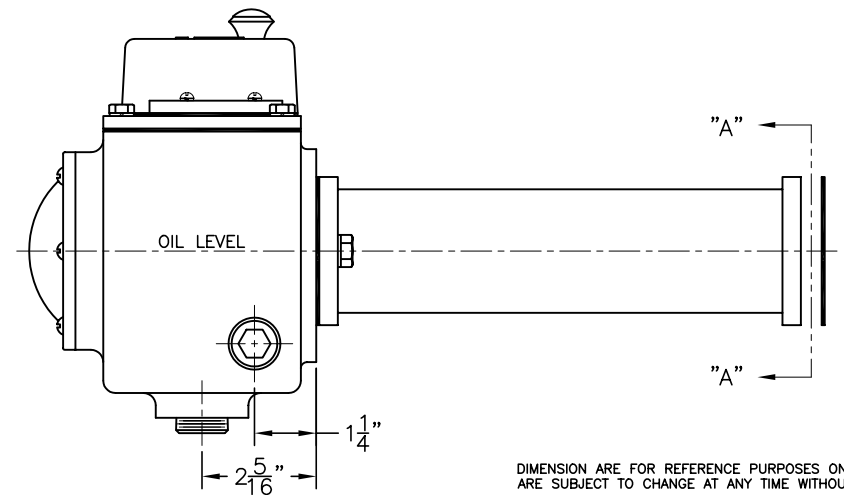


ADAPTER MOUNTING PLATE DETAIL A-A

**MODEL KLCM-24**



DIMENSION ARE FOR REFERENCE PURPOSES ONLY AND ARE SUBJECT TO CHANGE AT ANY TIME WITHOUT NOTICE. COPYRIGHT © 2003-KENCO INTERNATIONAL, INC.-ALL RIGHTS RESERVED

REV.	DATE	BY	ECN	EXPLANATION:	<b>KENCO ENGINEERING COMPANY</b> <b>TULSA, OKLAHOMA</b>
					DATE: 02-04-03 SHEET: 1 OF 1 DRAWING NUMBER DRN. BY: DS CHKD. BY: C-44761 SCALE: NONE REVISION: