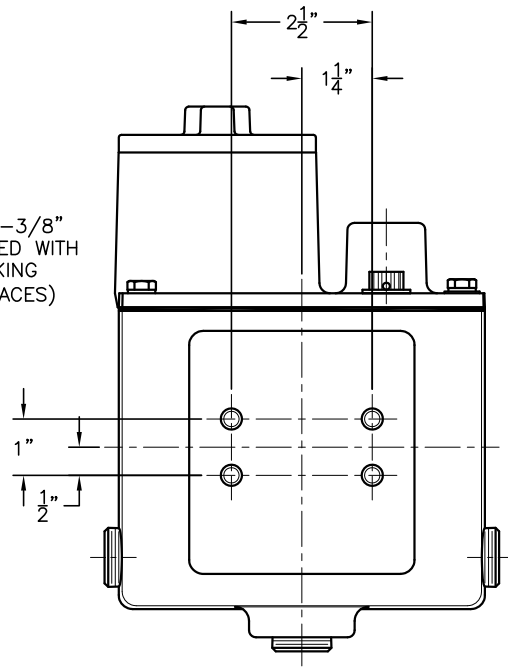
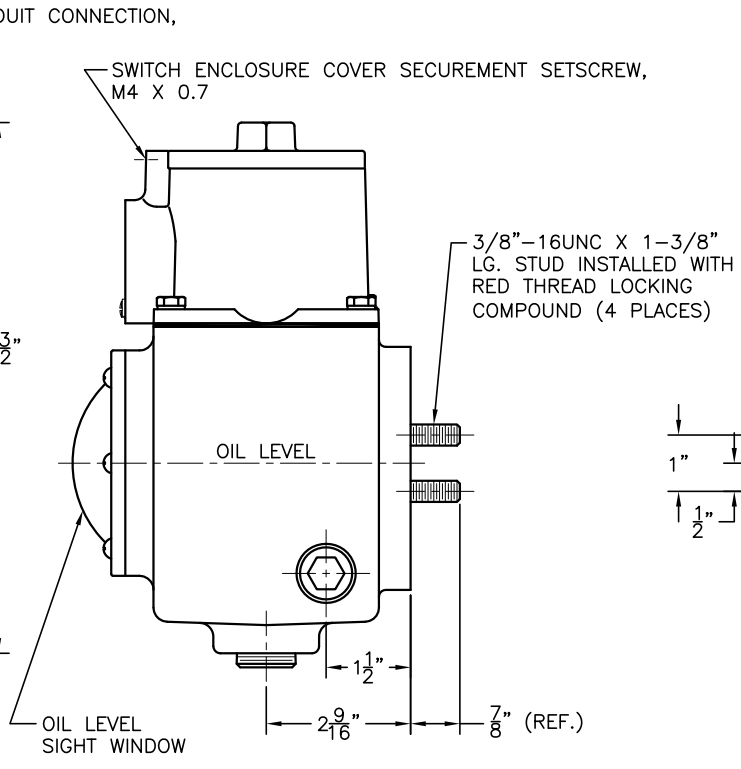
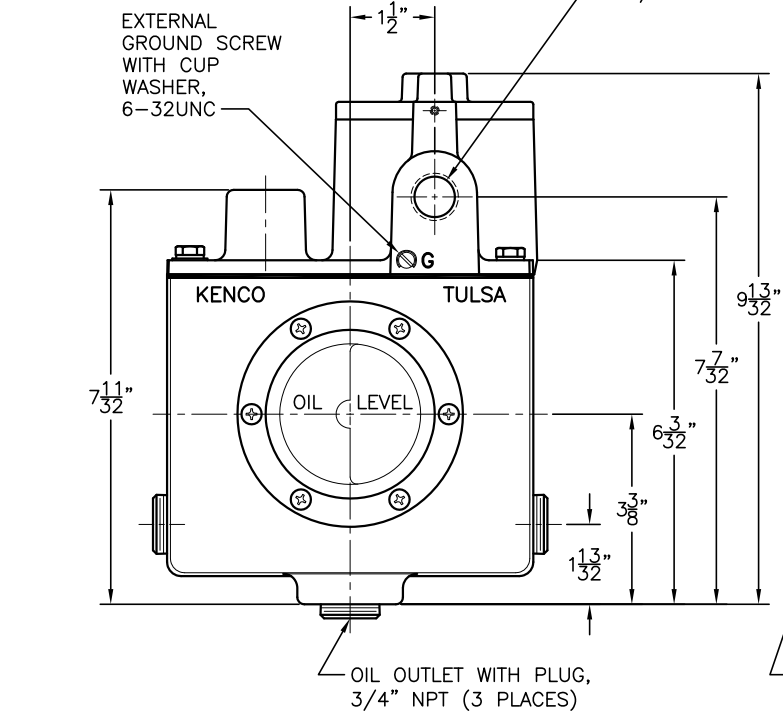
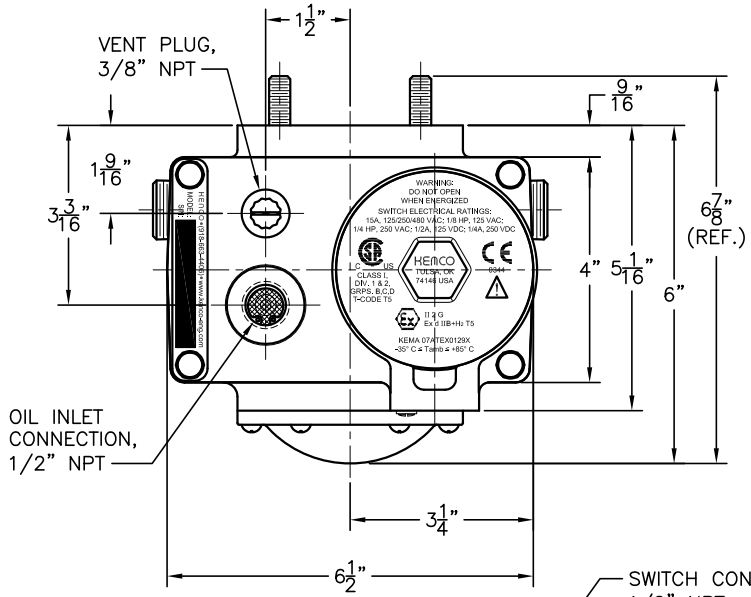


MODEL KLCE-9MS
MODEL KLCE-DPDT-9MS
MODEL KHL-9MS
MODEL KHL-DPDT-9MS
MODEL KSHL-9MS
MODEL KSSL-9MS



DIMENSIONS ARE FOR REFERENCE PURPOSES ONLY AND ARE SUBJECT TO CHANGE AT ANY TIME WITHOUT NOTICE. INFORMATION IS PROPRIETARY TO KENCO ENGINEERING CO.

REV.	DATE	BY	ECN	EXPLANATION:
A	11-20-09	DS	N/A	REDRAWN; MODEL SUFFIX "-9MS" WAS "-MS-9"

KENCO ENGINEERING COMPANY TULSA, OKLAHOMA		
CONTROLLER, OIL LEVEL WITH MOUNT (OUTLINE DRAWING) MODEL KLCE-9MS		
DATE: 02-05-03	SHEET: 1 OF 1	DRAWING NUMBER
DRN. BY: DS	CHKD. BY:	C-43623
SCALE: NONE	REVISION: A	