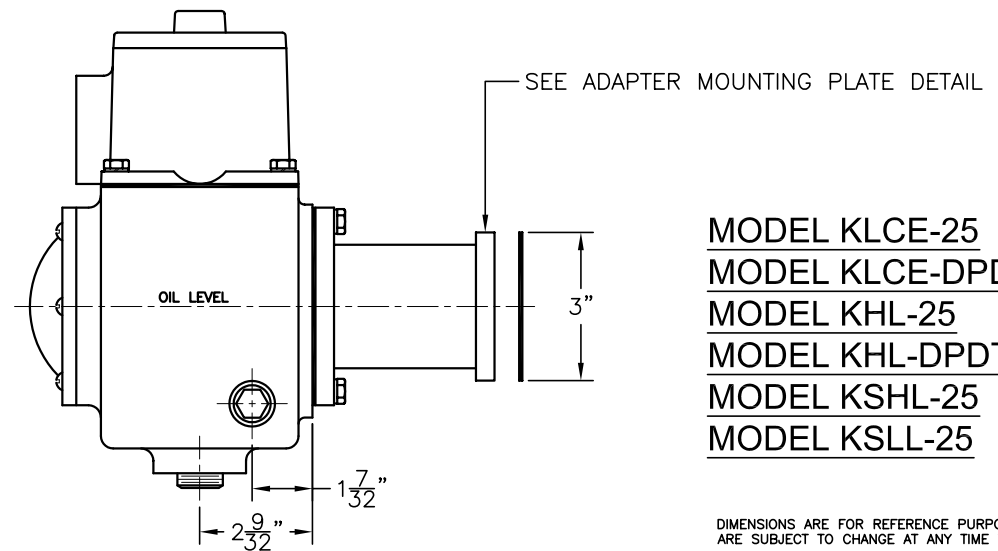
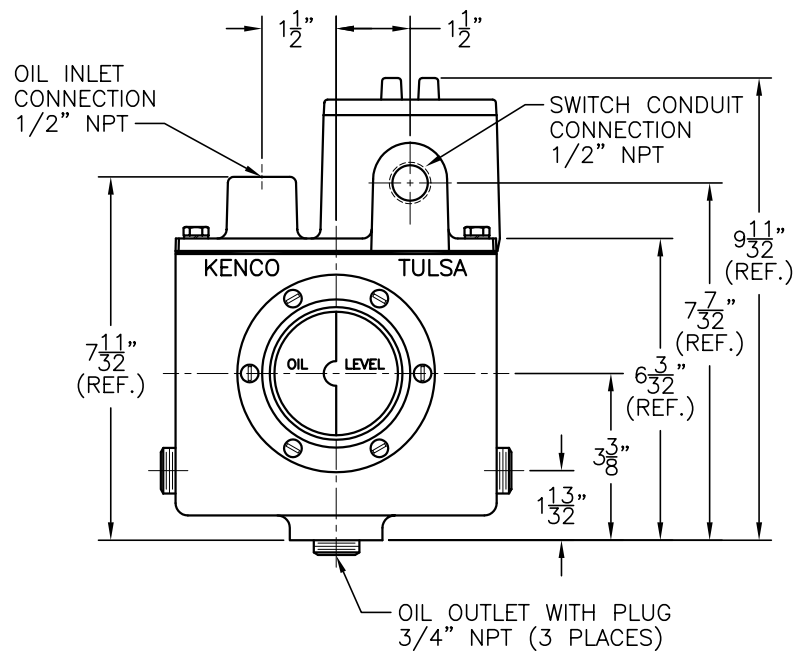


ADAPTER MOUNTING PLATE DETAIL



MODEL KLCE-25
MODEL KLCE-DPDT-25
MODEL KHL-25
MODEL KHL-DPDT-25
MODEL KSHL-25
MODEL KSLI-25

DIMENSIONS ARE FOR REFERENCE PURPOSES ONLY AND ARE SUBJECT TO CHANGE AT ANY TIME WITHOUT NOTICE. COPYRIGHT © 2003-KENCO INTERNATIONAL, INC.-ALL RIGHTS RESERVED

FOR ARIEL CORPORATION COMPRESSORS:
JGU/2, JGU/4, JGU/6, JGZ/2, JGZ/4, JGZ/6,
KBB/4, KBB/6, KBV/4 & KBV/6

REV.	DATE	BY	ECN	EXPLANATION:
A	10-21-03	RDM	N/A	4-1/16" (REF.) WAS 3-9/16" (REF.); REMOVED KENCO MODEL 50-FS FROM DRAWING
B	03-15-04	RDM	N/A	ADDED JGU/2 AND JGZ/2 TO COMPRESSOR LIST
C	11-18-05	RDM	N/A	3-11/16" (REF.) WAS 4-1/16" (REF.)
D	03-15-07	RDM	N/A	ADDED KBB/4, KBB/6, KBV/4 & KBV/6 TO LIST OF APPLICABLE COMPRESSORS

KENCO ENGINEERING COMPANY
TULSA, OKLAHOMA

CONTROLLER, OIL LEVEL WITH MOUNT
(OUTLINE DRAWING) MODEL KLCE-25

DATE: 10-06-03 SHEET: 1 OF 1 DRAWING NUMBER
 DRN. BY: DS CHKD. BY: C-45933
 SCALE: NONE REVISION: D