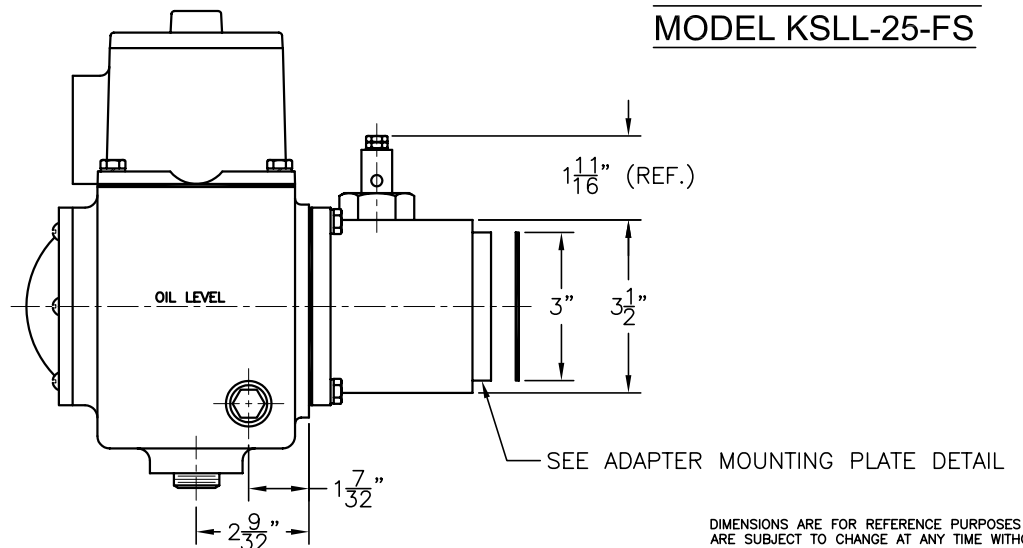
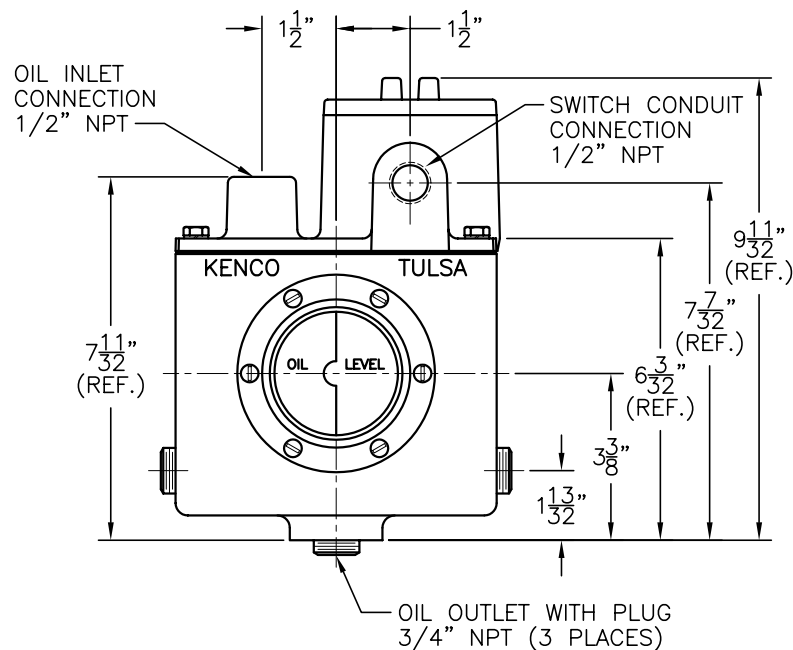


ADAPTER MOUNTING PLATE DETAIL

**SUPPLIED BUT NOT SHOWN:
(1) MODEL 50-KFS FIRE SAFE VALVE**

REFER TO 50-KFS OUTLINE DRAWING
FOR DETAIL DIMENSIONS OF VALVE

- MODEL KLCE-25-FS
- MODEL KLCE-DPDT-25-FS
- MODEL KHL-25-FS
- MODEL KHL-DPDT-25-FS
- MODEL KSHL-25-FS
- MODEL KSL-25-FS



DIMENSIONS ARE FOR REFERENCE PURPOSES ONLY AND
ARE SUBJECT TO CHANGE AT ANY TIME WITHOUT NOTICE.
COPYRIGHT © 2003-KENCO INTERNATIONAL, INC.-ALL RIGHTS RESERVED

FOR ARIEL CORPORATION COMPRESSORS:
JGU/2, JGU/4, JGU/6, JGZ/2, JGZ/4, JGZ/6,
KBB/4, KBB/6, KBV/4 & KBV/6

REV.	DATE	BY	ECN	EXPLANATION:	KENCO ENGINEERING COMPANY TULSA, OKLAHOMA
A	10-21-03	RDM	N/A	4-1/16" (REF.) WAS 3-9/16" (REF.); 1-3/8" (REF.) WAS 1-13/16" (REF.); ADDED 3-1/2" & 1-11/16" (REF.) DIMENSIONS	CONTROLLER, OIL LEVEL WITH MOUNT (OUTLINE DRAWING) MODEL KLCE-25-FS DATE: 10-06-03 SHEET: 1 OF 1 DRAWING NUMBER DRN. BY: DS CHKD. BY: C-45934 SCALE: NONE REVISION: D
B	03-15-04	RDM	N/A	ADDED JGU/2 AND JGZ/2 TO COMPRESSOR LIST	
C	11-18-05	RDM	N/A	3-11/16" (REF.) WAS 4-1/16" (REF.)	
D	03-15-07	RDM	N/A	ADDED KBB/4, KBB/6, KBV/4 & KBV/6 COM- PRESSORS; REPLACED 50-FS ILLUSTRATION WITH SUPPLIED BUT NOT SHOWN NOTE ABOUT 50-KFS	