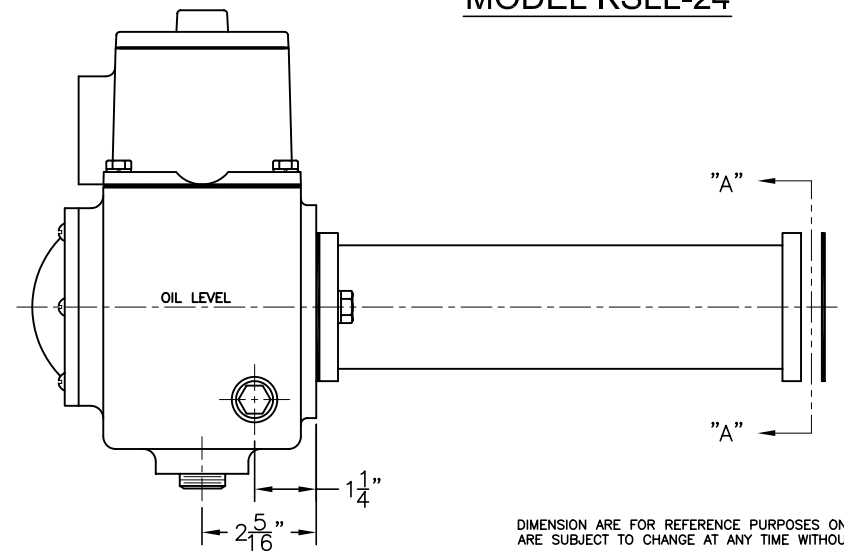
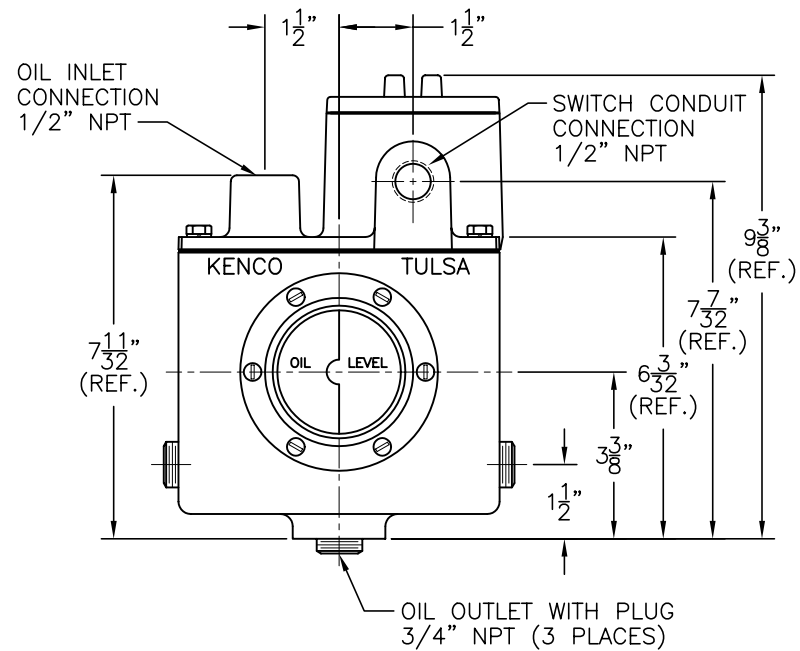


ADAPTER MOUNTING PLATE DETAIL A-A

- MODEL KLCE-24
- MODEL KLCE-DPDT-24
- MODEL KHL-24
- MODEL KHL-DPDT-24
- MODEL KSHL-24
- MODEL KSSL-24



DIMENSION ARE FOR REFERENCE PURPOSES ONLY AND ARE SUBJECT TO CHANGE AT ANY TIME WITHOUT NOTICE. COPYRIGHT © 2003-KENCO INTERNATIONAL, INC.-ALL RIGHTS RESERVED

REV.	DATE	BY	ECN	EXPLANATION:	KENCO ENGINEERING COMPANY TULSA, OKLAHOMA
					DATE: 02-04-03 SHEET: 1 OF 1 DRAWING NUMBER
					DRN. BY: DS CHKD. BY: C-44737
					SCALE: NONE REVISION: