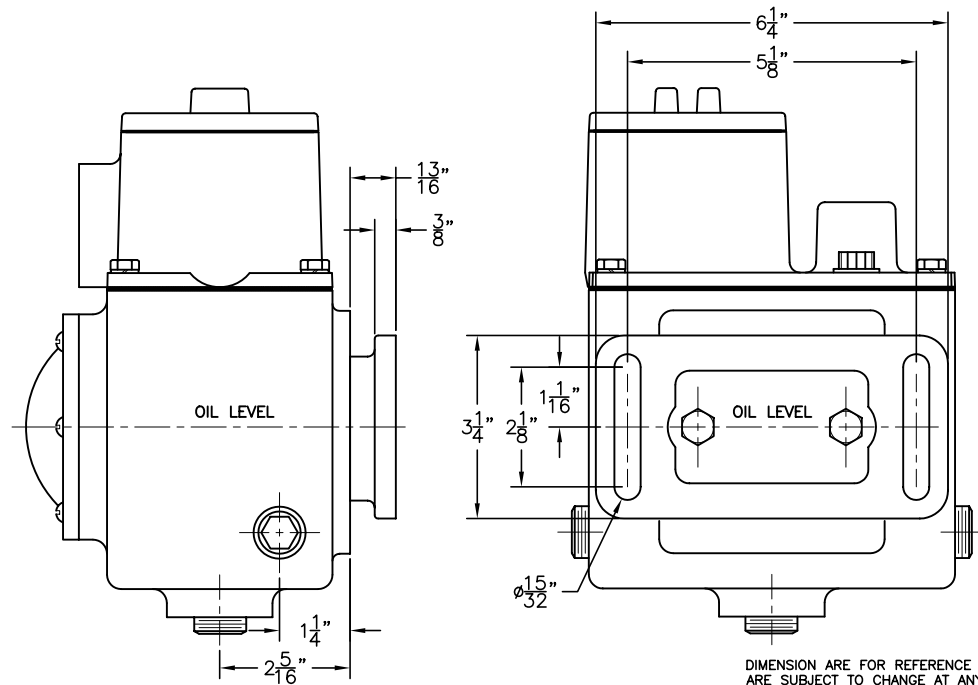
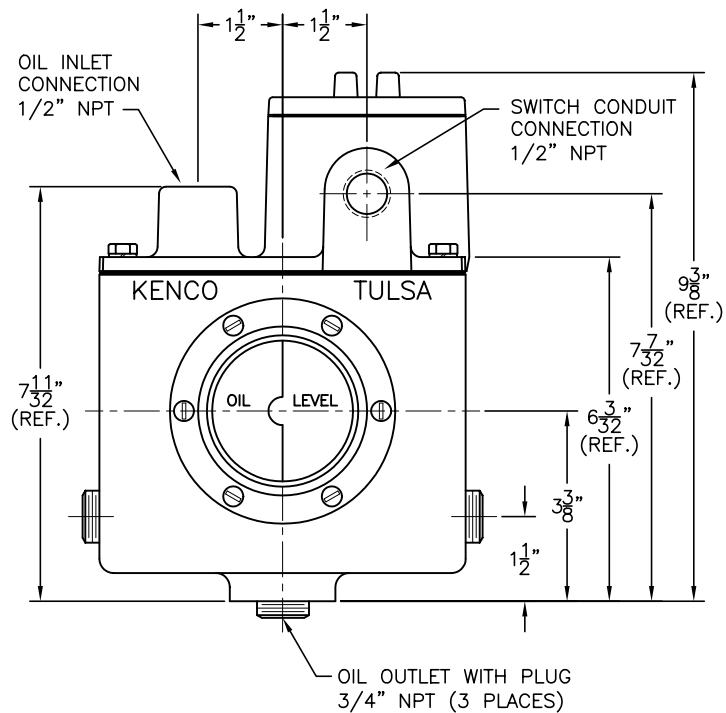


MODEL KLCE-10  
MODEL KLCE-DPDT-10  
MODEL KHL-10  
MODEL KHL-DPDT-10  
MODEL KSHL-10  
MODEL KSSL-10



DIMENSION ARE FOR REFERENCE PURPOSES ONLY AND ARE SUBJECT TO CHANGE AT ANY TIME WITHOUT NOTICE.  
COPYRIGHT © 2003 KENCO INTERNATIONAL, INC. ALL RIGHTS RESERVED

REV.	DATE	BY	ECN	EXPLANATION:	KENCO ENGINEERING COMPANY TULSA, OKLAHOMA CONTROLLER, OIL LEVEL WITH MOUNT (OUTLINE DRAWING) MODEL KLCE-10
DATE: 02-03-03 SHEET: 1 OF 1 DRAWING NUMBER					C-44727
DRN. BY: DS CHKD. BY:					
SCALE: NONE REVISION:					