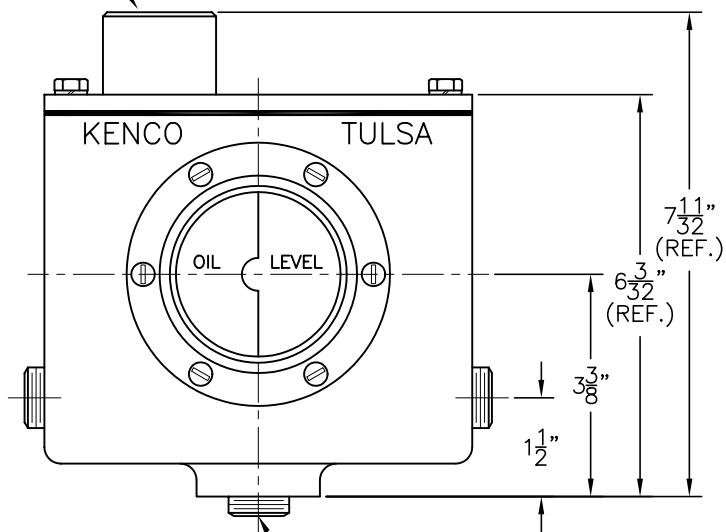
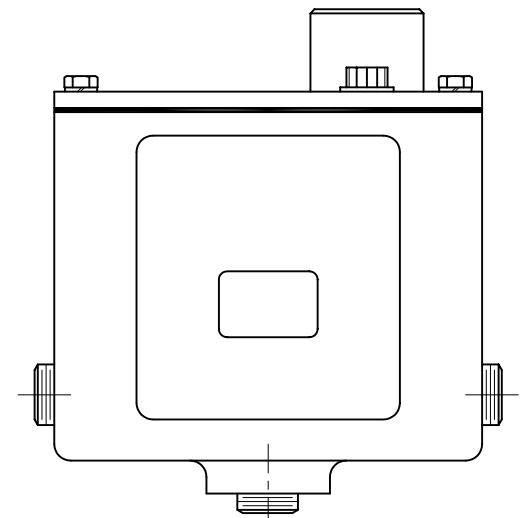
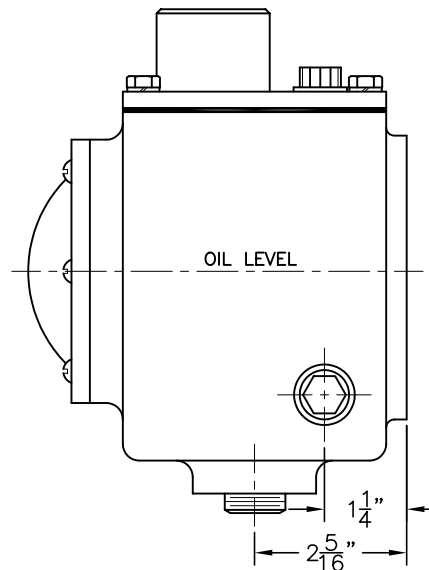


MODEL KLC

OIL INLET CONNECTION
1/2" NPT



OIL OUTLET WITH PLUG
3/4" NPT (3 PLACES)



DIMENSION ARE FOR REFERENCE PURPOSES ONLY AND ARE SUBJECT TO CHANGE AT ANY TIME WITHOUT NOTICE.
COPYRIGHT © 2003-KENCO INTERNATIONAL, INC.-ALL RIGHTS RESERVED

REV.	DATE	BY	ECN	EXPLANATION:

KENCO ENGINEERING COMPANY
TULSA, OKLAHOMA

CONTROLLER, OIL LEVEL
(OUTLINE DRAWING) MODEL KLC

DATE: 02-03-03	SHEET: 1 OF 1	DRAWING NUMBER
DRN. BY: DPS	CHKD. BY:	C-44676
SCALE: NONE	REVISION:	