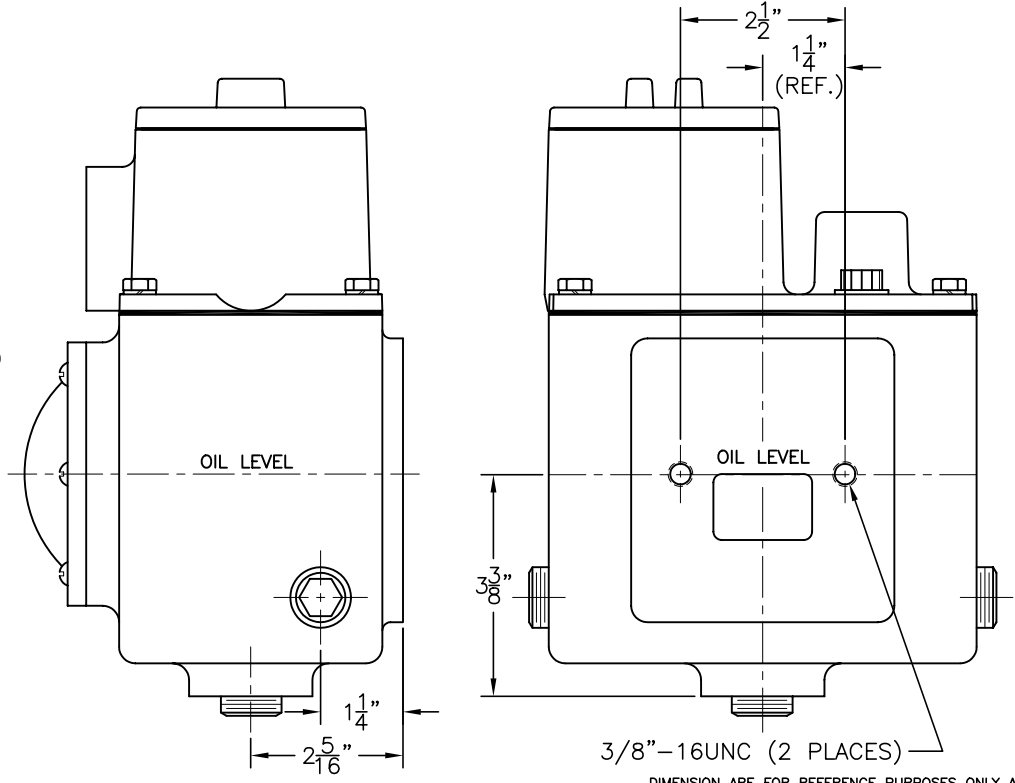
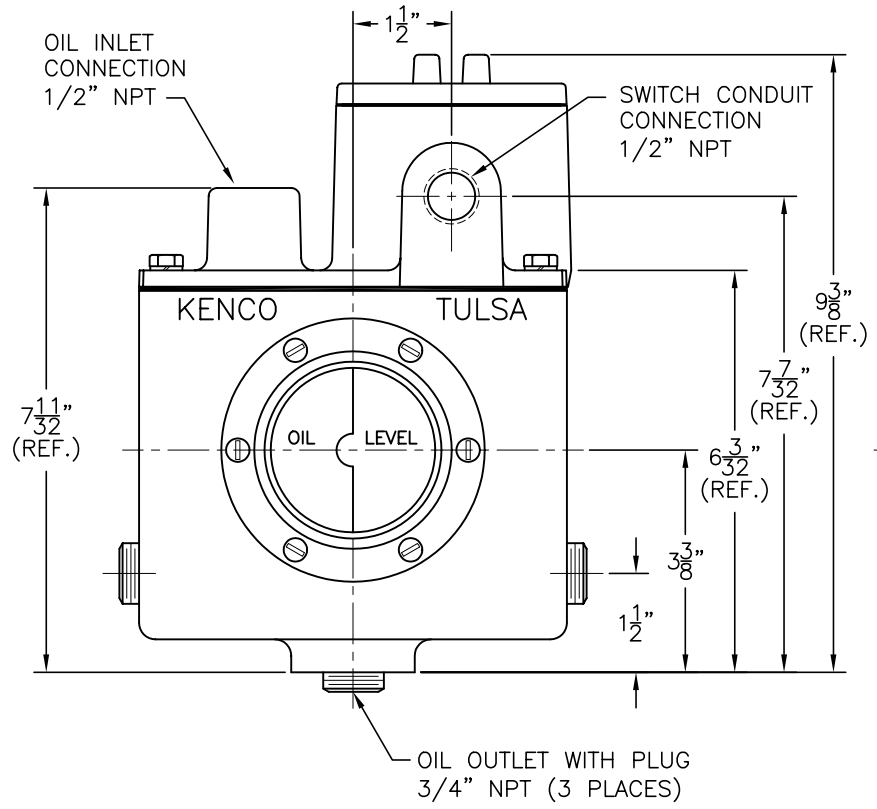


MODEL KLCE-DT-10
MODEL KLCE-DPDT-DT-10
MODEL KHL-DT-10
MODEL KHL-DPDT-DT-10
MODEL KSHL-DT-10
MODEL KSSL-DT-10



DIMENSION ARE FOR REFERENCE PURPOSES ONLY AND ARE SUBJECT TO CHANGE AT ANY TIME WITHOUT NOTICE. COPYRIGHT © 2003-KENCO INTERNATIONAL, INC.-ALL RIGHTS RESERVED

REV.	DATE	BY	ECN	EXPLANATION:	KENCO ENGINEERING COMPANY TULSA, OKLAHOMA		
					CONTROLLER, OIL LEVEL (OUTLINE DRAWING) MODEL KLCE-DT-10		
					DATE: 02-03-03	SHEET: 1 OF 1	DRAWING NUMBER
					DRN. BY: DPS	CHKD. BY:	C-44683
					SCALE: NONE	REVISION:	