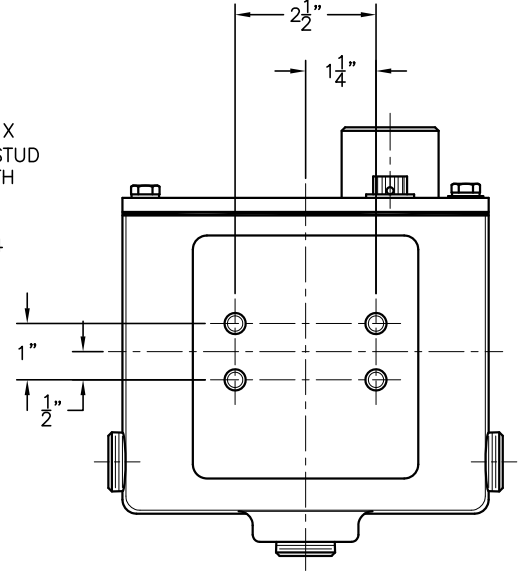
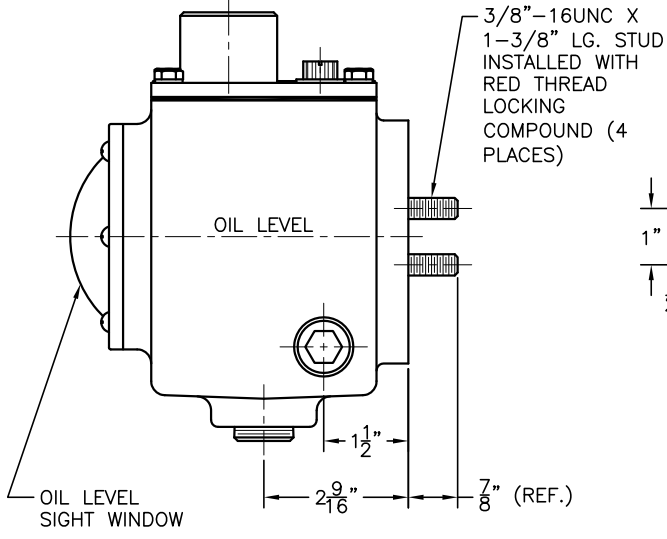
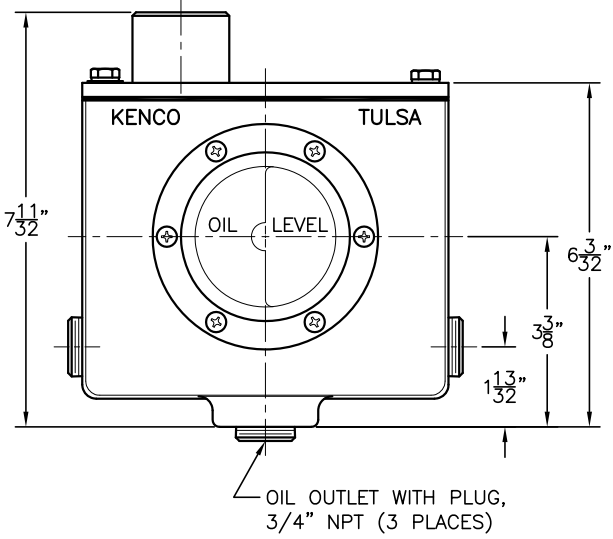
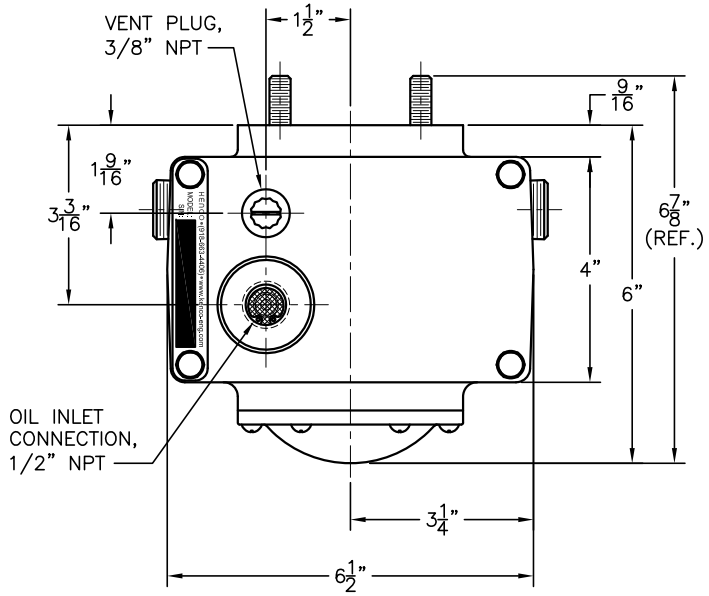


MODEL KLC-9MS



DIMENSIONS ARE FOR REFERENCE PURPOSES ONLY AND ARE SUBJECT TO CHANGE AT ANY TIME WITHOUT NOTICE. INFORMATION IS PROPRIETARY TO KENCO ENGINEERING CO.

REV.	DATE	BY	ECN	EXPLANATION:
A	11-24-09	DS	N/A	REDRAWN; MODEL SUFFIX "-9MS" WAS "-MS-9"

KENCO ENGINEERING COMPANY
TULSA, OKLAHOMA

CONTROLLER, OIL LEVEL WITH MOUNT
(OUTLINE DRAWING) MODEL KLC-9MS

DATE: 02-05-03	SHEET: 1 OF 1	DRAWING NUMBER
DRN. BY: DS	CHKD. BY:	C-43625
SCALE: NONE	REVISION: A	