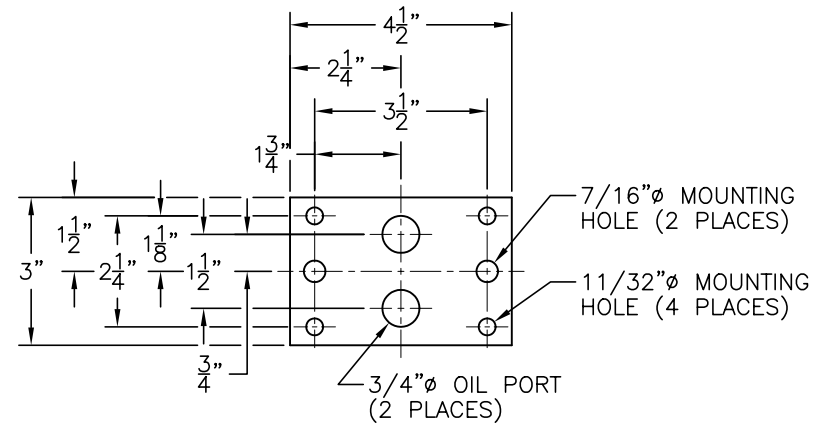
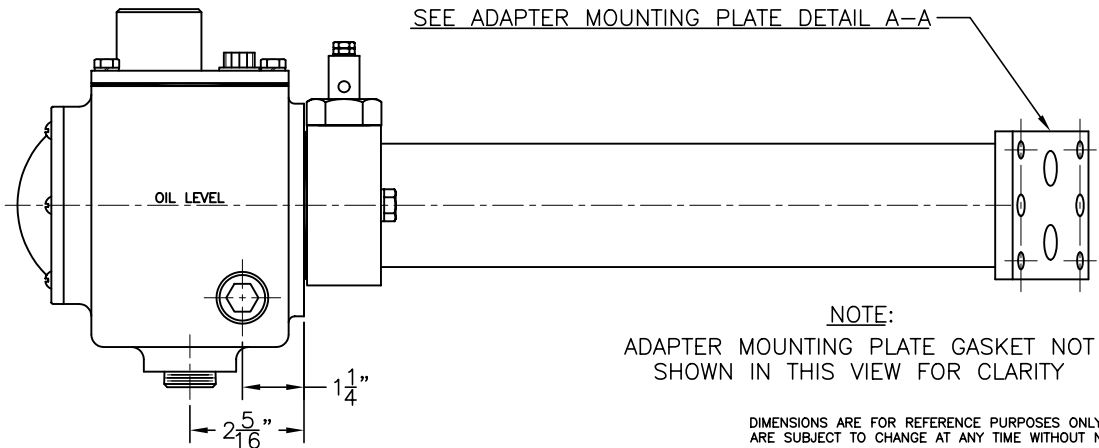
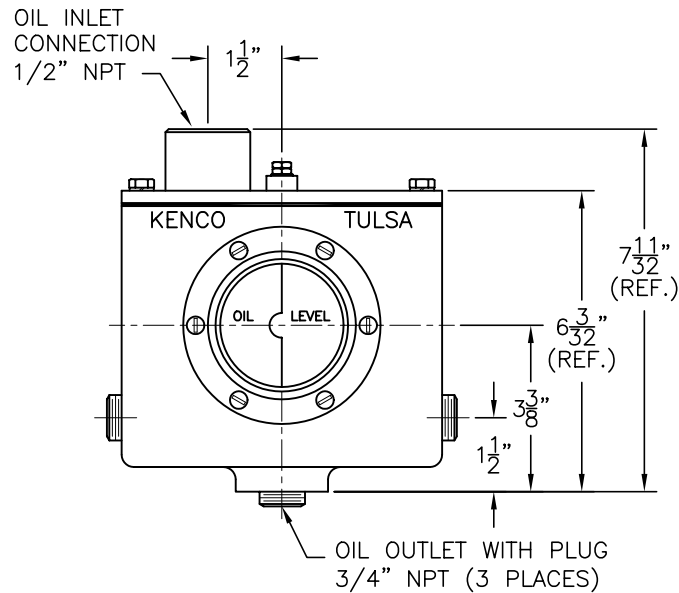


**MODEL 50-FS:**  
 A-1/2" NPT  
 B-5/8"  
 C-1-1/4"  
 D-1-9/16"  
 E-3-1/8"  
 F-3-15/16"



ADAPTER MOUNTING PLATE DETAIL A-A

**MODEL KLC-48-FS**



**NOTE:**  
 ADAPTER MOUNTING PLATE GASKET NOT SHOWN IN THIS VIEW FOR CLARITY

DIMENSIONS ARE FOR REFERENCE PURPOSES ONLY AND ARE SUBJECT TO CHANGE AT ANY TIME WITHOUT NOTICE. COPYRIGHT © 2003 KENCO INTERNATIONAL, INC.-ALL RIGHTS RESERVED

REV.	DATE	BY	ECN	EXPLANATION:
A	05-23-03	DS	N/A	CHANGED TO MATCH NEW TYPE 48 ADAPTER

<b>KENCO ENGINEERING COMPANY</b> TULSA, OKLAHOMA		
CONTROLLER, OIL LEVEL WITH MOUNT (OUTLINE DRAWING) MODEL KLC-48-FS		
DATE: 02-04-03	SHEET: 1 OF 1	DRAWING NUMBER
DRN. BY: DS	CHKD. BY:	C-44721
SCALE: NONE	REVISION: A	