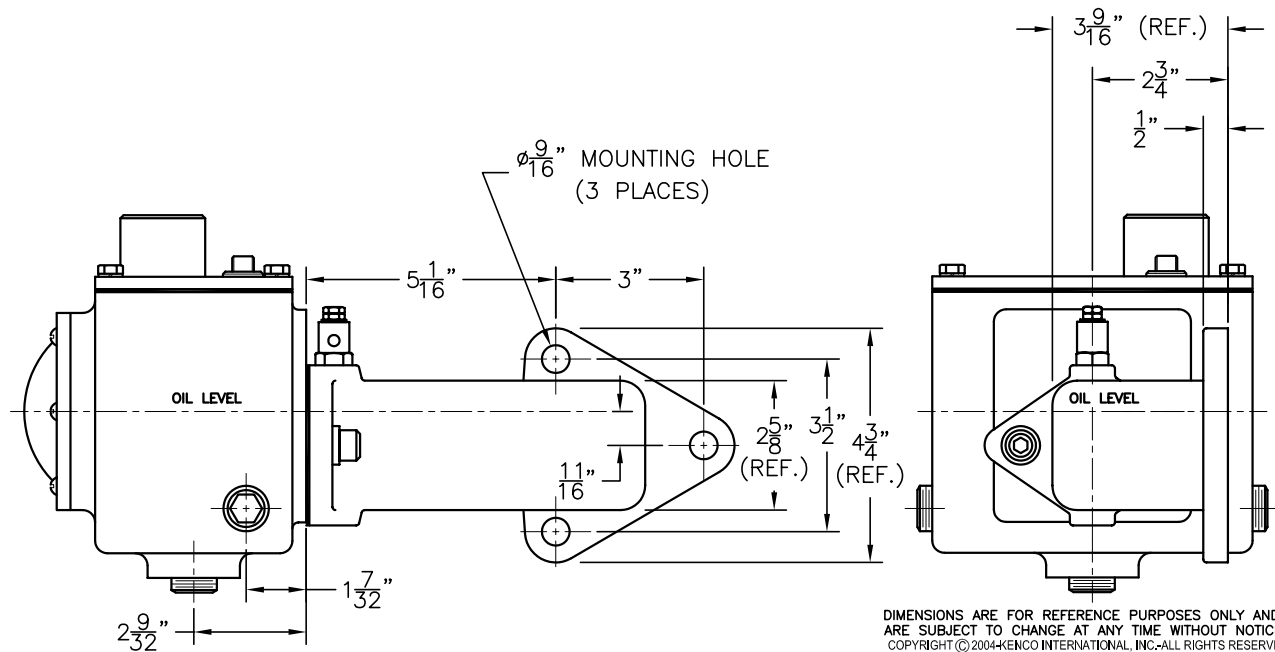


FIRE SAFE VALVE

MODEL 50-FS:

- A=1/2"
- B=5/8"
- C=1-1/4"
- D=1-9/16"
- E=3-1/8"
- F=3-7/8"

MODEL KLC-14-FS



DIMENSIONS ARE FOR REFERENCE PURPOSES ONLY AND ARE SUBJECT TO CHANGE AT ANY TIME WITHOUT NOTICE. COPYRIGHT © 2004 KENCO INTERNATIONAL, INC.-ALL RIGHTS RESERVED

REV.	DATE	BY	ECN	EXPLANATION:
A	02-20-04	DS	-	CL OF MTG. ADAPTER WAS 1/4" BELOW OIL LEVEL; 3/8" PIPE PLUG WAS SHOWN AS A VENT PLUG; MTG. ADAPTER WAS SHOWN BACKWARDS IN BACK VIEW; UP-DATED MISC. REF. DIMS. ON CONTROLLER HOUSING

KENCO ENGINEERING COMPANY
TULSA, OKLAHOMA

CONTROLLER, OIL LEVEL WITH MOUNT
(OUTLINE DRAWING) MODEL KLC-14-FS

DATE: 02-03-03 SHEET: 1 OF 1 DRAWING NUMBER
DRN. BY: DS CHKD. BY: C-44711
SCALE: NONE REVISION: A