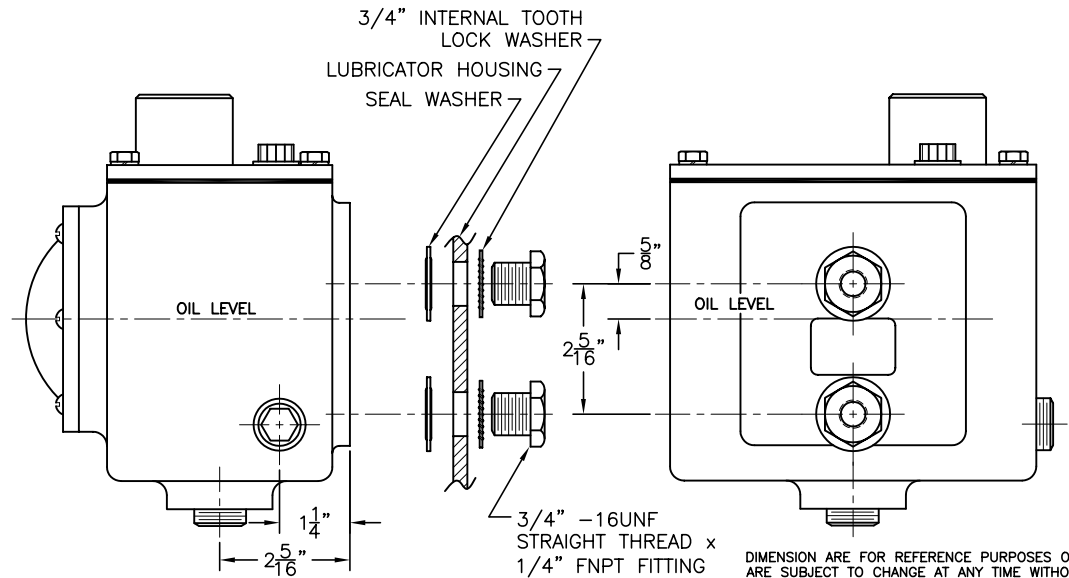
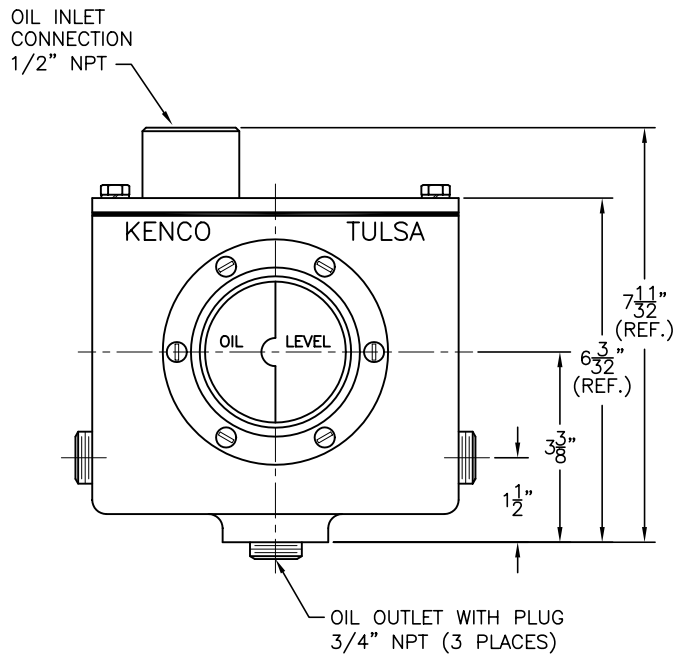
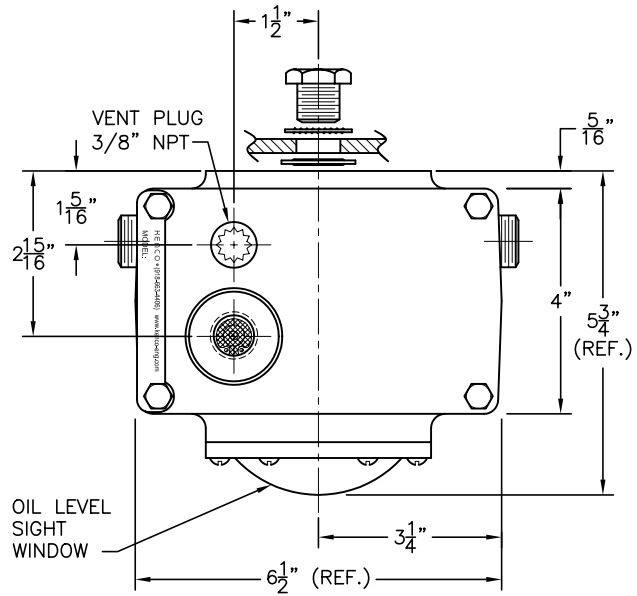


MODEL KLC-11



DIMENSION ARE FOR REFERENCE PURPOSES ONLY AND ARE SUBJECT TO CHANGE AT ANY TIME WITHOUT NOTICE.
COPYRIGHT © 2003 KENCO INTERNATIONAL, INC.-ALL RIGHTS RESERVED

REV.	DATE	BY	ECN	EXPLANATION:	KENCO ENGINEERING COMPANY TULSA, OKLAHOMA CONTROLLER, OIL LEVEL WITH MOUNT (OUTLINE DRAWING) MODEL KLC-11 DATE: 02-03-03 SHEET: 1 OF 1 DRAWING NUMBER DRN. BY: DS CHKD. BY: C-44706 SCALE: NONE REVISION: