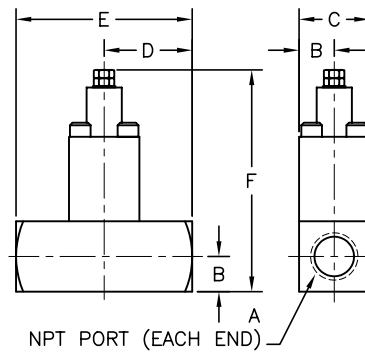
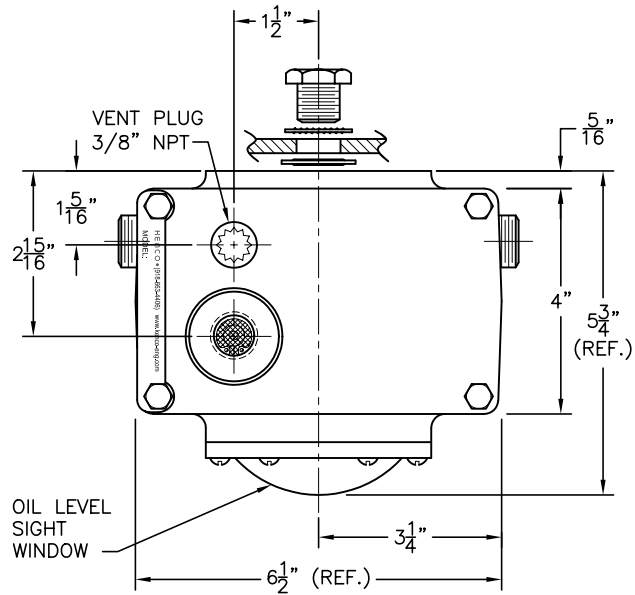


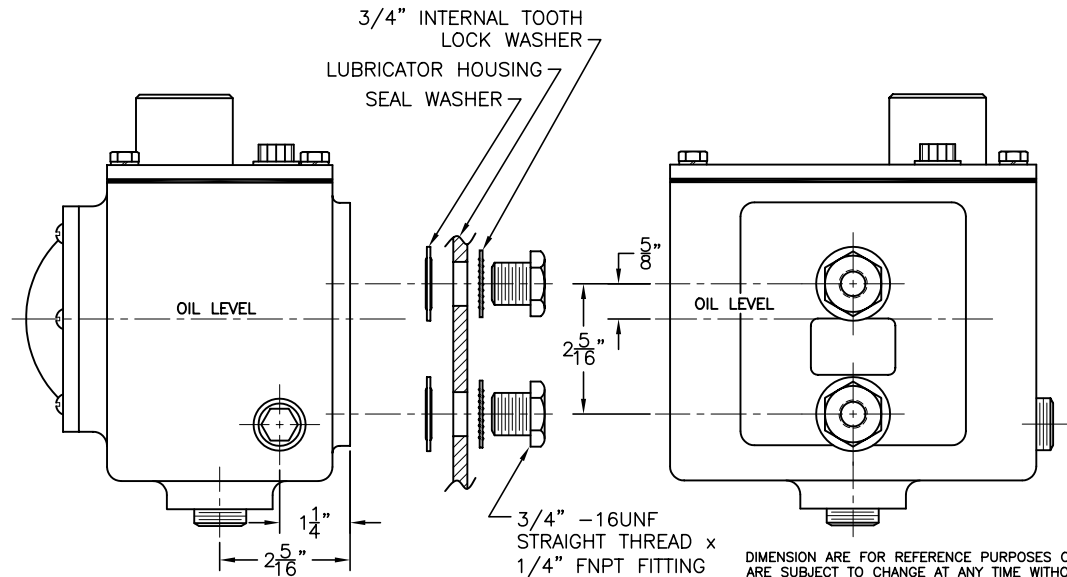
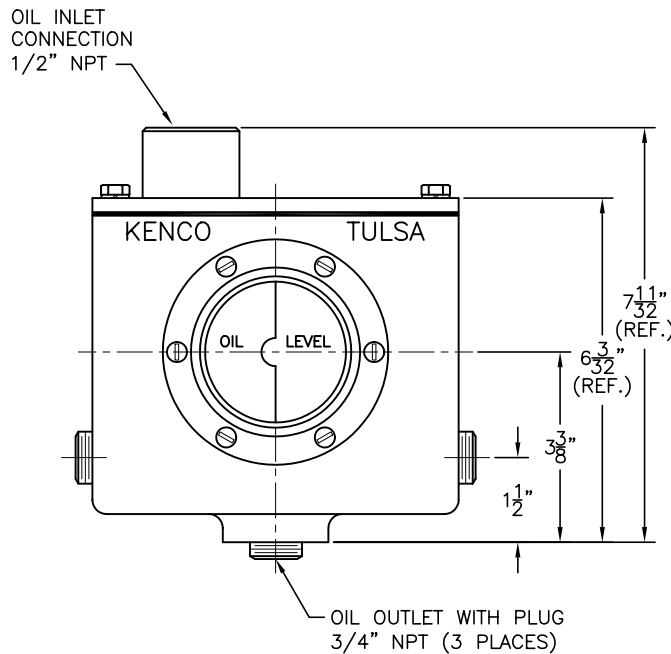
# MODEL KLC-11-FS



## FIRE SAFE VALVE

MODEL 50-FS:

- A-1/2" NPT
- B-5/8"
- C-1-1/4"
- D-1-9/16"
- E-3-1/8"
- F-3-15/16"



DIMENSION ARE FOR REFERENCE PURPOSES ONLY AND ARE SUBJECT TO CHANGE AT ANY TIME WITHOUT NOTICE.  
COPYRIGHT © 2003 KENCO INTERNATIONAL, INC. ALL RIGHTS RESERVED

REV.	DATE	BY	ECN	EXPLANATION:	KENCO ENGINEERING COMPANY TULSA, OKLAHOMA
					DATE: 02-03-03 SHEET: 1 OF 1 DRAWING NUMBER
					DRN. BY: DS CHKD. BY: C-44707
					SCALE: NONE REVISION: