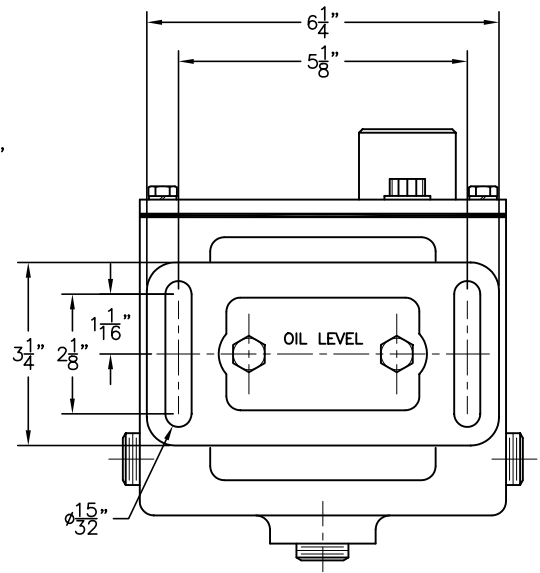
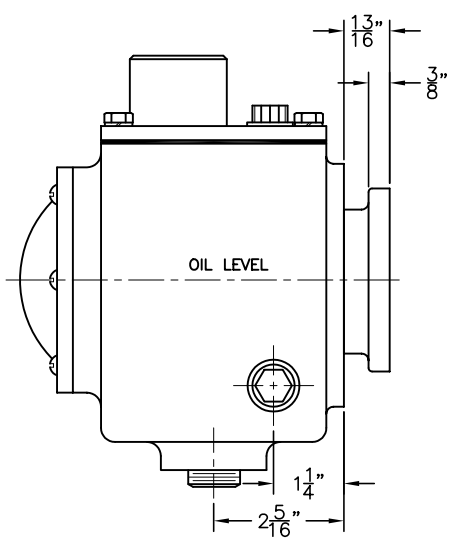
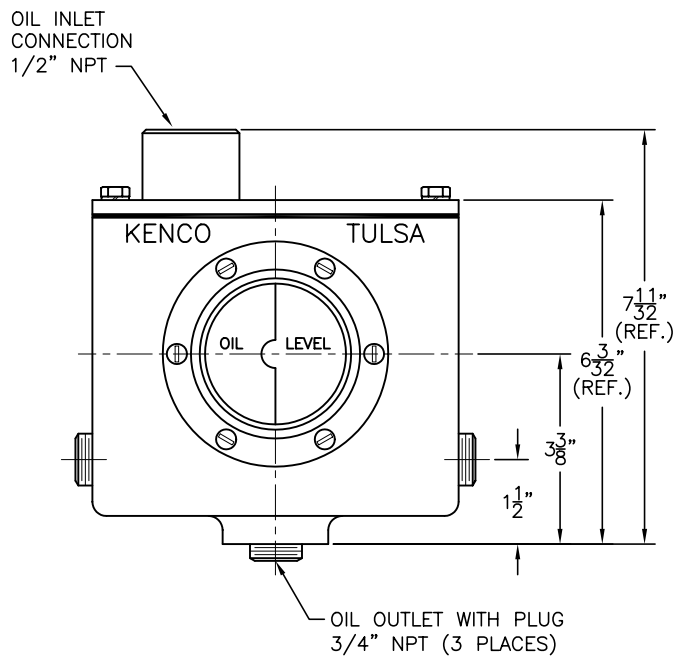
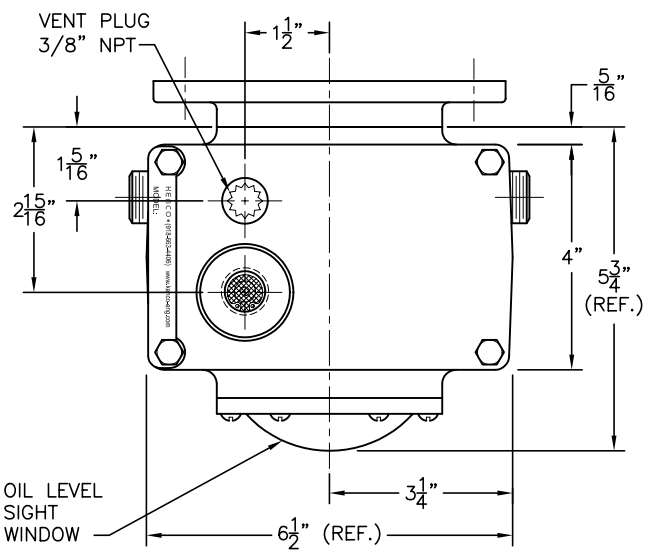


# MODEL KLC-10



DIMENSION ARE FOR REFERENCE PURPOSES ONLY AND ARE SUBJECT TO CHANGE AT ANY TIME WITHOUT NOTICE.  
COPYRIGHT © 2003-KENCO INTERNATIONAL, INC.-ALL RIGHTS RESERVED

REV.	DATE	BY	ECN	EXPLANATION:

**KENCO ENGINEERING COMPANY**  
TULSA, OKLAHOMA

CONTROLLER, OIL LEVEL WITH MOUNT  
(OUTLINE DRAWING) MODEL KLC-10

DATE: 02-03-03	SHEET: 1 OF 1	DRAWING NUMBER
DRN. BY: DS	CHKD. BY:	C-44704
SCALE: NONE	REVISION:	