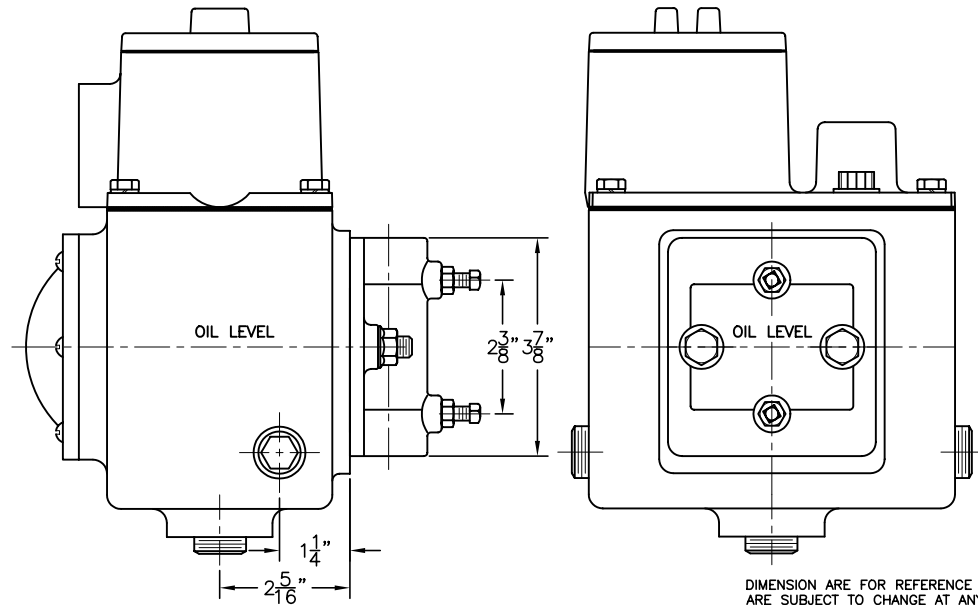
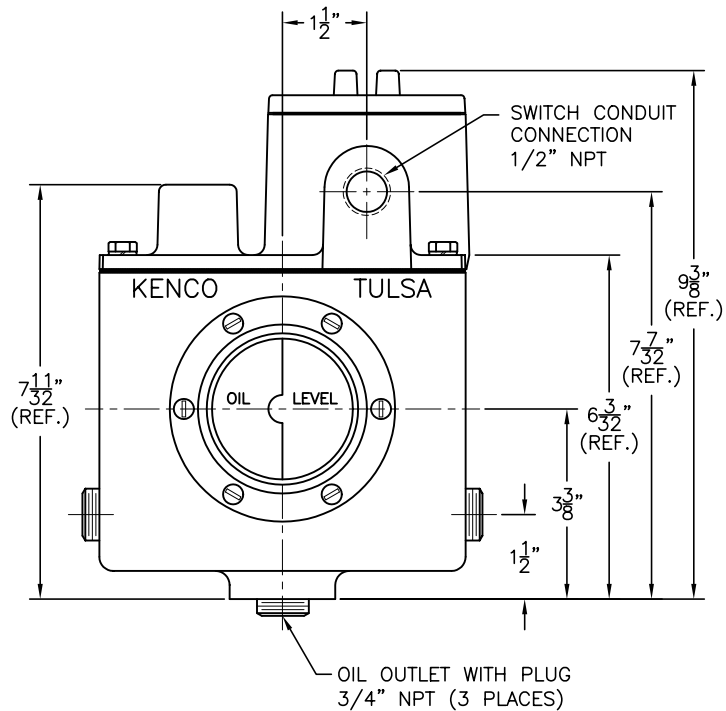


**FIRE SAFE VALVE**

MODEL 75-FS:

- A-3/4" NPT
- B-3/4"
- C-1-1/2"
- D-1-3/4"
- E-3-1/2"
- F-4-7/16"

- MODEL KES-12-FS
- MODEL KES-DPDT-12-FS
- MODEL KHL-ES-12-FS
- MODEL KHL-ES-DPDT-12-FS
- MODEL KSHL-ES-12-FS
- MODEL KSSL-ES-12-FS



DIMENSION ARE FOR REFERENCE PURPOSES ONLY AND ARE SUBJECT TO CHANGE AT ANY TIME WITHOUT NOTICE.  
COPYRIGHT © 2003 KENCO INTERNATIONAL, INC. ALL RIGHTS RESERVED

REV.	DATE	BY	ECN	EXPLANATION:	KENCO ENGINEERING COMPANY TULSA, OKLAHOMA
					DATE: 02-03-03 SHEET: 1 OF 1 DRAWING NUMBER
					DRN. BY: DS CHKD. BY: C-44693
					SCALE: NONE REVISION: